

Balcony Microinverter Multilingual user manual reading instructions

English version user manual:	<u>1-24 pages</u>
Bedienungsanleitung in deutscher Version:	<u>Seiten 26-48</u>



User Manual

TSOL-MS300 Balcony

TSOL-MS350 Balcony

TSOL-MS400 Balcony

TSOL-MS600 Balcony

TSOL-MS700 Balcony

TSOL-MS800 Balcony

TSOL-MS2000 (600)

TSOL-MS2000 (800)

Trademarks and Permissions

TSUN and other TSUNESS trademarks are trademarks of TSUNESS Co., Ltd. All other trademarks and trade names mentioned in this document are the property of their respective holders.

TSUNESS Co., Ltd makes no representations express or implied, concerning this documentation or any of the equipment and / or software it may describe, including (with no limitation) any implied warranties of utility, merchantability, or fitness for any particular purpose.

All such warranties are expressly disclaimed. Neither TSUNESS nor its distributors or dealers shall be liable for any indirect, incidental, or consequential damages under any circumstances. (The exclusion of implied warranties may not apply in all cases under some statutes, and thus the above exclusion may not apply.)

Specifications are subject to change without notice. Every attempt has been made to make this document complete, accurate, and up-to-date. Readers are cautioned, however, that TSUNESS reserves the right to make changes without notice and shall not be responsible for any damages, including indirect, incidental, or consequential damages, caused by reliance on the material presented, including, but not limited to, omissions, typographical errors, arithmetical errors or listing errors in the content material.

All trademarks are recognized even if these are not marked separately. Missing designations do not mean that a product or brand is not a registered trademark. All trademarks are recognized as the property of their respective owners.

Product information is subject to change without notice. User documentation is updated frequently; Check www.tsun-ess.com for the latest information. To ensure optimal reliability and meet warranty requirements, the TSUN Microinverter must be installed according to the instructions in this manual. For warranty text refer to www.tsun-ess.com.

© 2022 TSUNESS Co., Ltd All rights reserved.

Audience

This manual is intended for use by professional installation and maintenance personnel.

Content

Trademarks and Permissions	- 2 -
Audience	- 3 -
Content	- 4 -
Read This First	- 5 -
Important Safety Information	- 5 -
Product Label	- 5 -
System Introduction	- 6 -
Product Description	- 8 -
Datasheet	- 9 -
Microinverter Installation	- 14 -
Pre-installation Check	- 14 -
Installation Steps	- 14 -
Remote Active Power Control	- 20 -
Self-Test Function for Italy	- 20 -
Fault Code and Troubleshooting	- 21 -
Maintenance Guide	- 22 -
Routine Maintenance	- 22 -
Storage and Dismantling	- 22 -
Recycling and Disposal	- 22 -
Warranty Service	- 23 -
Exclusions	- 23 -
Distributor Responsibility	- 24 -

Read This First

Dear customer, thank you for choosing the Balcony microinverter from TSUN. We hope you will find our products meet your needs for renewable energy. Meantime, we appreciate your feedback regarding our products.

A solar microinverter, or simply microinverter, is a plug-and-play device used in photovoltaics, that converts direct current (DC) generated by a single solar module to alternating current (AC). The main advantage is that small amounts of shading, debris, or snow lines on any single solar module, or even a complete module failure, do not disproportionately reduce the output of the entire array. Each microinverter harvests optimum power by performing maximum power point tracking (MPPT) for its connected module. Simplicity in system design, lower amperage wires, simplified stock management, and added safety are other factors introduced with the microinverter solution.




This manual contains important instructions for Balcony microinverters and must be read in their entirety before installing or commissioning the equipment. For safety, only qualified technicians, who have received training or have demonstrated skills can install and maintain this microinverter under the guide of this document.

Important Safety Information








During installation, testing, and inspection, adherence to all the handling and safety instructions is mandatory. Failure to do so may result in injury or loss of life and damage to the equipment.

Product Label

The following safety symbols are used in this document. Familiarize yourself with the symbols and their meaning before installing or operating the system.

 DANGER
· DANGER indicates a hazardous situation that can result in deadly electric shock hazards, other serious physical injury, or fire hazards.
 WARNING
· WARNING indicates directions that must be fully understood and followed in their entirety in order to avoid potential safety hazards including equipment damage or personal injury.
 CAUTION
· CAUTION indicates that the described operation must not be carried out. The reader should stop using and fully understand the operations explained before proceeding.

The symbols on the microinverter are listed below and illustrated in detail.

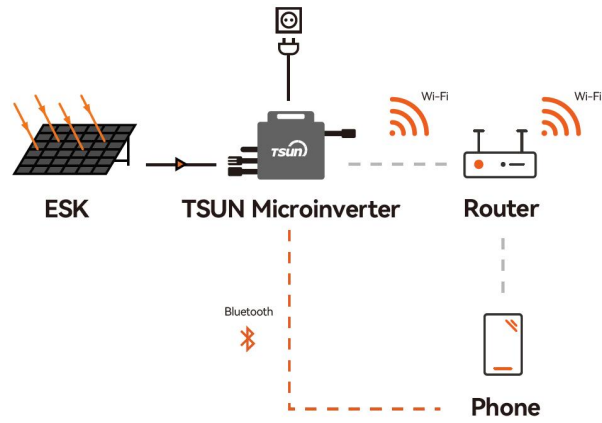
Symbol	Description
	This device is directly connected to the public grid, thus all work to the inverter shall only be carried out by qualified personnel.
	The components inside the inverter will release a lot of heat during operation. Do not touch metal plate housing during operation.
	Please read the installation manual first before installation, operation, and maintenance.
	This device SHALL NOT be disposed of in residential waste.
	This device fulfills the requirements of the Radio Equipment Directive.
RoHS	This device complies with the RoHS Directive.
	There is a risk of electric shock during energy conversion. Before releasing the remaining voltage, do not perform any operations and do not enter within 25 centimeters of the surrounding area.
	

System Introduction

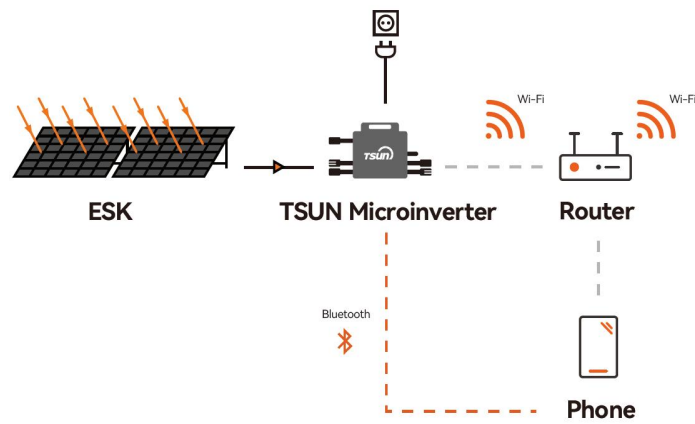
The Balcony microinverter is used in grid-tied applications, comprised of two key elements:

- Balcony Microinverter.
- TSUN monitoring system.

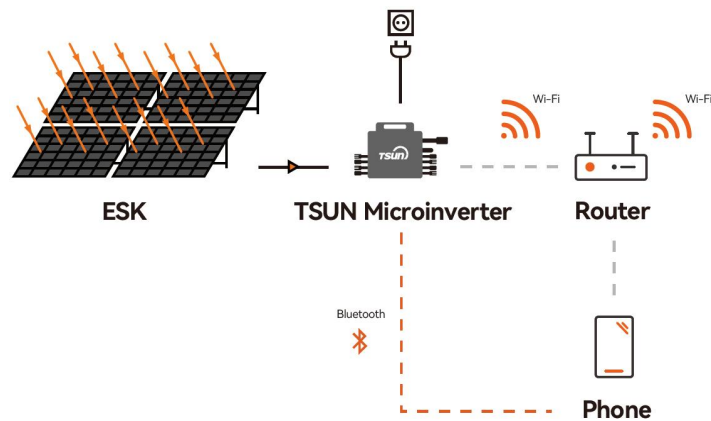
The microinverter converts the DC electricity generated by solar panels into AC electricity which is in accordance with the requirements of the public grid and sends the AC into the grid, reducing the load pressure of the grid.



TSOL-MS300 Balcony
 TSOL-MS350 Balcony
 TSOL-MS400 Balcony

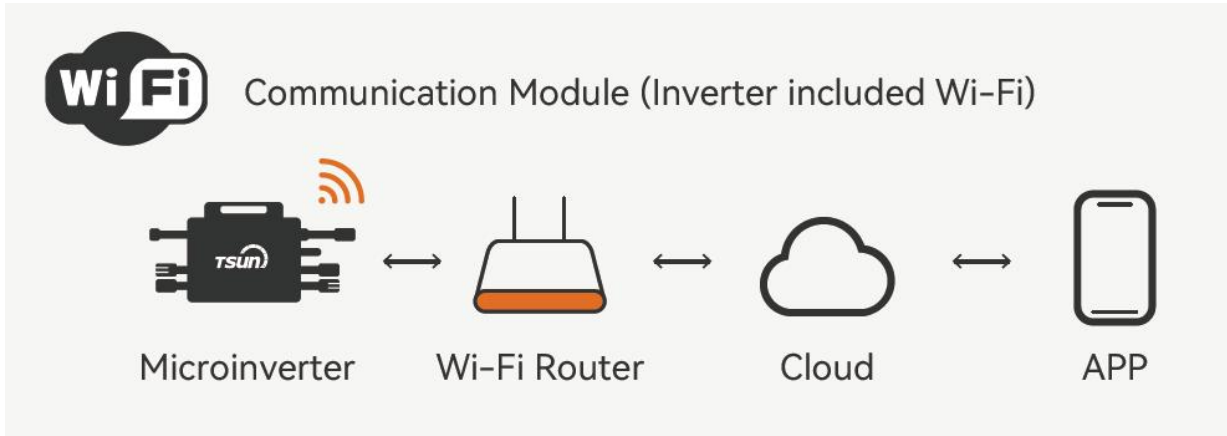


TSOL-MS600 Balcony
 TSOL-MS700 Balcony
 TSOL-MS800 Balcony

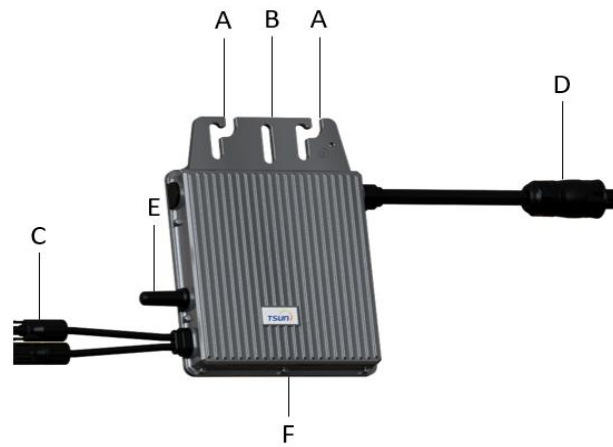


TSOL-MS2000 (600)
 TSOL-MS2000 (800)

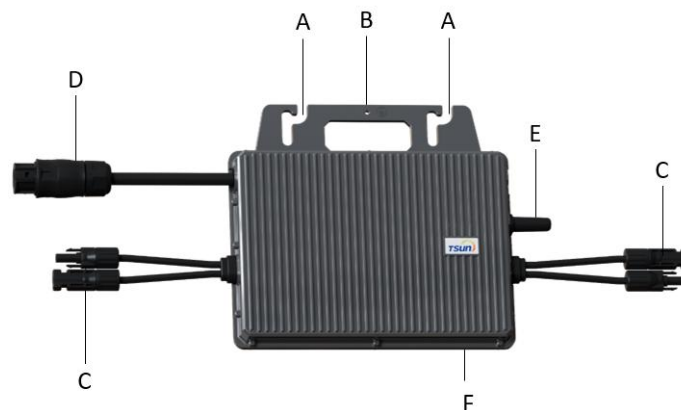
The microinverter is integrated with the Wi-Fi module and connects to the home Wi-Fi router directly. Users can monitor the power generation of the system by TSUN monitoring App.



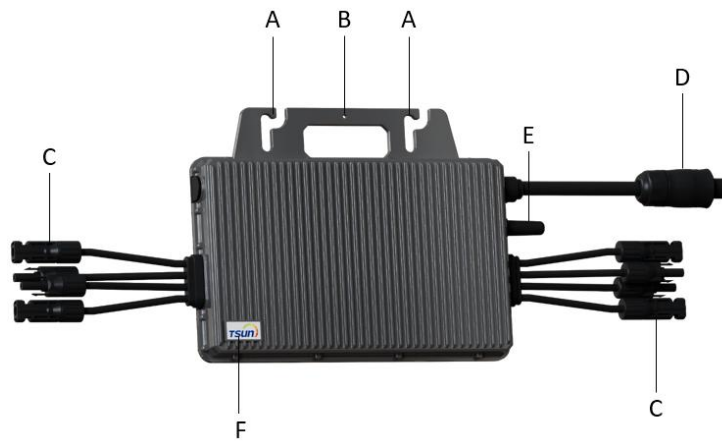
Product Description



TSOL-MS300 Balcony
 TSOL-MS350 Balcony
 TSOL-MS400 Balcony



TSOL-MS600 Balcony
 TSOL-MS700 Balcony
 TSOL-MS800 Balcony



TSOL-MS2000 (600)

TSOL-MS2000 (800)

A	Mounting Hole	D	AC Cable
B	Grounding Hole	E	Antenna
C	DC Cables	F	Status Light

Datasheet

Model	TSOL-MS400 Balcony	TSOL-MS350 Balcony	TSOL-MS300 Balcony
Input Data (DC)			
Recommended Module Power (W)	300 ~ 550	300 ~ 550	300 ~ 550
Start-up Voltage per Input (V)	22		
Rated Input Voltage (V)	42		
MPPT Voltage Range per Input (V)	16~60		
Max. Input Voltage per Input (V)	60		
Max. Short-circuit Current per Input (A)	20	20	20
Max. Input Current per Input (A)	14	14	14
Quantity of MPPT	1		
Max. Inverter Back-feed Current to the Array (A)	0		
Output Data (AC)			
Max. Output Power (VA)	400	350	300
Nominal Continuous Output Power (W)	400	350	300
Nominal Output Current (A)	1.74	1.52	1.3
Max. Output Current (A)	2	1.59	1.45
Nominal Output Voltage/Range (V)*	220/230/240, 175 – 270, L/N/PE		
Nominal Frequency (Hz)*	50/60		
Power Factor	>0.99 default, 0.8 leading ... 0.8 lagging		
Output Current Harmonic Distortion	<3%		
Efficiency			

Peak Inverter Efficiency	96.7%	96.7%	96.7%
CEC Weighted Efficiency	96.5%	96.5%	96.5%
Nominal Mppt Efficiency	99.9%	99.9%	99.9%
Nighttime Power Consumption	<50mW	<50mW	<50mW
Protection			
Anti-Islanding protection	Integrated		
Insulation monitoring	Integrated		
AC surge protection	TYPE II		
AC overcurrent protection	Integrated		
AC short-circuit protection	Integrated		
AC overvoltage protection	Integrated		
Over-heat protection	Integrated		
Mechanical Data			
Dimensions (W×H×D mm)	164 * 225 * 30		
Weight [kg]	1.75		
General Data			
Display	LED indicators; TSUN APP+WEB		
Communication	built-in WiFi module		
Type of Isolation	Galvanically Isolated HF Transformer		
Type of Enclosure	IP67		
Cooling	Natural convection		
Operating Ambient Temperature Range	-40 ~ +65 (derating of over 50°C Ambient Temperature)		
Relative Humidity	100%		
Max. Operating Altitude Without Derating [m]	2000		
WiFi Standard	802.11b/g/n		
WiFi Frequency Range	2.412GHz-2.472GHz		
WiFi Transmitting Power	802.11b: +17dBm + 1.5dBm (@11Mbps)		
	802.11g: +15dBm + 1.5dBm (@54Mbps)		
	802.11n: +14dBm + 1.5dBm (@HT20, MCS7)		
WiFi Receiving Sensitivity	802.11b: -96dBm (@1Mbps)		
	802.11b: -89dBm (@11Mbps)		
	802.11g: -91dBm (@6Mbps)		
	802.11g: -76dBm (@54Mbps)		
	802.11n: -91dBm (@MCS0)		
	802.11n: -73dBm (@MCS7)		
BLE Standard	BLE5.0		
BLE Frequency Range	2.402GHz-2.480GHz		
BLE Transmitting Power	Max 15dBm		
BLE Receiving Sensitivity	-97 dBm		

※ The AC voltage and frequency range may vary depending on specific country grid.

Model	TSOL-MS800 Balcony	TSOL-MS700 Balcony	TSOL-MS600 Balcony
Input Data (DC)			
Recommended Module Power (W)	300 ~ 550	300 ~ 550	300 ~ 550
Start-up Voltage per Input (V)	22		
Rated Input Voltage (V)	42		
MPPT Voltage Range per Input (V)	16~60		
Max. Input Voltage per Input (V)	60		
Max. Short-circuit Current per Input (A)	20	20	20
Max. Input Current per Input (A)	14	14	14
Quantity of MPPT	2		
Max. Inverter Back-feed Current to the Array (A)	0		
Output Data (AC)			
Max. Output Power (VA)	800	700	600
Nominal Continuous Output Power (W)	800	700	600
Nominal Output Current (A)	3.48	3.04	2.61
Max. Output Current (A)	4	3.19	3
Nominal Output Voltage/Range (V)*	220/230/240, 175 – 270, L/N/PE		
Nominal Frequency (Hz)*	50/60		
Power Factor	>0.99 default, 0.8 leading ... 0.8 lagging		
Output Current Harmonic Distortion	<3%		
Efficiency			
Peak Inverter Efficiency	96.7%	96.7%	96.7%
CEC Weighted Efficiency	96.5%	96.5%	96.5%
Nominal Mppt Efficiency	99.9%	99.9%	99.9%
Nighttime Power Consumption	<50mW	<50mW	<50mW
Protection			
Anti-Islanding protection	Integrated		
Insulation monitoring	Integrated		
AC surge protection	TYPE II		
AC overcurrent protection	Integrated		
AC short-circuit protection	Integrated		
AC overvoltage protection	Integrated		
Over-heat protection	Integrated		
Mechanical Data			
Dimensions (W×H×D mm)	250 * 223 * 30		
Weight [kg]	2.6		
General Data			
Display	LED indicators; TSUN APP+WEB		
Communication	built-in WiFi module		
Type of Isolation	Galvanically Isolated HF Transformer		
Type of Enclosure	IP67		

Cooling	Natural convection
Operating Ambient Temperature Range	-40 ~ +65 (derating of over 50°C Ambient Temperature)
Relative Humidity	100%
Max. Operating Altitude Without Derating [m]	2000
WiFi Standard	802.11b/g/n
WiFi Frequency Range	2.412GHz-2.472GHz
WiFi Transmitting Power	802.11b: +17dBm + 1.5dBm (@11Mbps)
	802.11g: +15dBm + 1.5dBm (@54Mbps)
	802.11n: +14dBm + 1.5dBm (@HT20, MCS7)
WiFi Receiving Sensitivity	802.11b: -96dBm (@1Mbps)
	802.11b: -89dBm (@11Mbps)
	802.11g: -91dBm (@6Mbps)
	802.11g: -76dBm (@54Mbps)
	802.11n: -91dBm (@MCS0)
	802.11n: -73dBm (@MCS7)
BLE Standard	BLE5.0
BLE Frequency Range	2.402GHz-2.480GHz
BLE Transmitting Power	Max 15dBm
BLE Receiving Sensitivity	-97 dBm

※ The AC voltage and frequency range may vary depending on specific country grid.

Model	TSOL-MS2000 (600)	TSOL-MS2000 (800)
Recommended Module Power (W)	300 - 700+	300 - 700+
Start-up Voltage per Input (V)	22	
Rated Input Voltage (V)	42	
MPPT Voltage Range per Input (V)	16~60	
Max. Input Voltage per Input (V)	60	
Max. Short-circuit Current per Input (A)	25	
Max. Input Current per Input (A)	16	
Quantity of MPPT	4	
Max. Inverter Back-feed Current to the Array (A)	0	
Max. Output Power (VA)	600	800
Nominal Continuous Output Power (W)	600	800
Nominal Output Current (A)	2.61	3.48
Max. Output Current (A)	3	4
Nominal Output Voltage/Range (V)*	220/230/240, 175 – 270, L/N/PE	
Nominal Frequency (Hz)*	50/60	
Power Factor	>0.99 default, 0.8 leading ... 0.8 lagging	
Output Current Harmonic Distortion	<3%	

Peak Inverter Efficiency	96.7%
CEC Weighted Efficiency	96.5%
Nominal Mppt Efficiency	99.9%
Nighttime Power Consumption	<50mW
Anti-Islanding protection	Integrated
Insulation monitoring	Integrated
AC surge protection	TYPE II
AC overcurrent protection	Integrated
AC short-circuit protection	Integrated
AC overvoltage protection	Integrated
Over-heat protection	Integrated
Dimensions (W×H×D mm)	331 * 261 * 44
Weight [kg]	5
Display	LED indicators; TSUN APP+WEB
Communication	built-in WiFi module
Type of Isolation	Galvanically Isolated HF Transformer
Type of Enclosure	IP67
Cooling	Natural convection
Operating Ambient Temperature Range	-40 ~ +65 (derating of over 50°C Ambient Temperature)
Relative Humidity	100%
Max. Operating Altitude Without Derating [m]	2000
WiFi Standard	802.11b/g/n
WiFi Frequency Range	2.412GHz-2.472GHz
WiFi Transmitting Power	802.11b: +17dBm + 1.5dBm (@11Mbps)
	802.11g: +15dBm + 1.5dBm (@54Mbps)
	802.11n: +14dBm + 1.5dBm (@HT20, MCS7)
WiFi Receiving Sensitivity	802.11b: -96dBm (@1Mbps)
	802.11b: -89dBm (@11Mbps)
	802.11g: -91dBm (@6Mbps)
	802.11g: -76dBm (@54Mbps)
	802.11n: -91dBm (@MCS0)
	802.11n: -73dBm (@MCS7)
BLE Standard	BLE5.0
BLE Frequency Range	2.402GHz-2.480GHz
BLE Transmitting Power	Max 15dBm
BLE Receiving Sensitivity	-97 dBm

※ The AC voltage and frequency range may vary depending on specific country grid.

TSUNESS Co., Ltd declares that the radio equipment (Micro inverter) is in complies with Directive 2014/53/EU. The full text of the EU Declaration of Conformity is available at the following internet address:

[https://www.tsun-ess.com/File/\\$random-2023-07-03-091204-@2a\\$-97Z](https://www.tsun-ess.com/File/$random-2023-07-03-091204-@2a$-97Z)

Microinverter Installation

Pre-installation Check

Check the Package

Although TSUN's microinverters have surpassed stringent testing and are checked before they leave the factory, it is uncertain that the microinverters may suffer damage during transportation. Please check the package for any obvious signs of damage, and if such evidence is present, do not open the package and contact your dealer as soon as possible.

Check the Installation Environment and Position

When choosing the position of installation, comply with the following conditions:

- ◆ To avoid unwanted power derating due to an increase in the internal temperature of the inverter, do not expose it to direct sunlight.
- ◆ To avoid overheating, always make sure the flow of air around the inverter is not blocked.
- ◆ Do not install in places where gasses or flammable substances may be present.
- ◆ Avoid electromagnetic interference that can compromise the correct operation of electronic equipment.
- ◆ It's recommended to install microinverter on structures underneath the photovoltaic modules so that they work in the shade.
- ◆ Use a mobile phone to check the Wi-Fi signal strength at the installation position. If the Wi-Fi signal is bad, try to install the microinverter in another position or move the Wi-Fi router.

Installation Steps



DANGER

- Before installation, check the unit to ensure the absence of any transport or handling damage, which could affect insulation integrity or safety clearances.
- Unauthorized removal of necessary protections, improper use, incorrect installation, and operation may lead to serious safety and shock hazards or equipment damage.
- Be aware that installation of this equipment includes the risk of electric shock.

Step 1. Install the bracket.

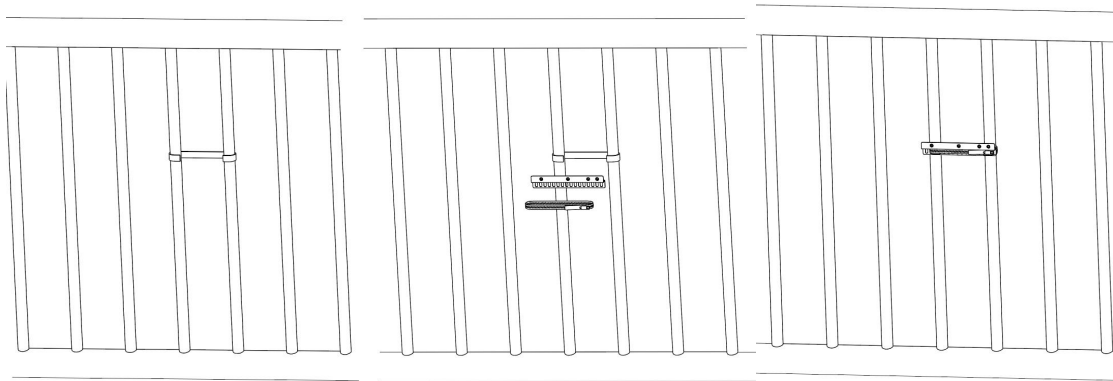


WARNING

- Choose the installation location carefully and adhere to specified cooling requirements. Micro-inverter should be installed in a suitable position with good ventilation and no direct sunshine.

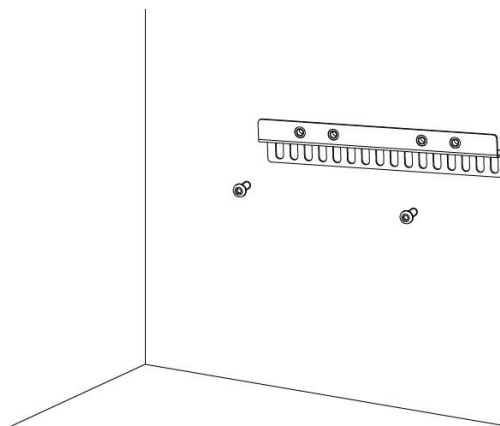
➤ Balcony Installation

Choose a suitable position, fix the buffer strip on the railing, and then use stainless steel rolling strip to fix the bracket.



➤ Wall Installation

Fix the bracket to the wall with screws in a suitable position.



Step 2. Connect the ground cable

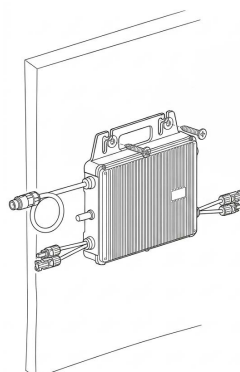


·Do not install the equipment in adverse environment conditions such as flammable, explosive, corrosive, extreme high or low temperature, and humid.

➤ Balcony Installation

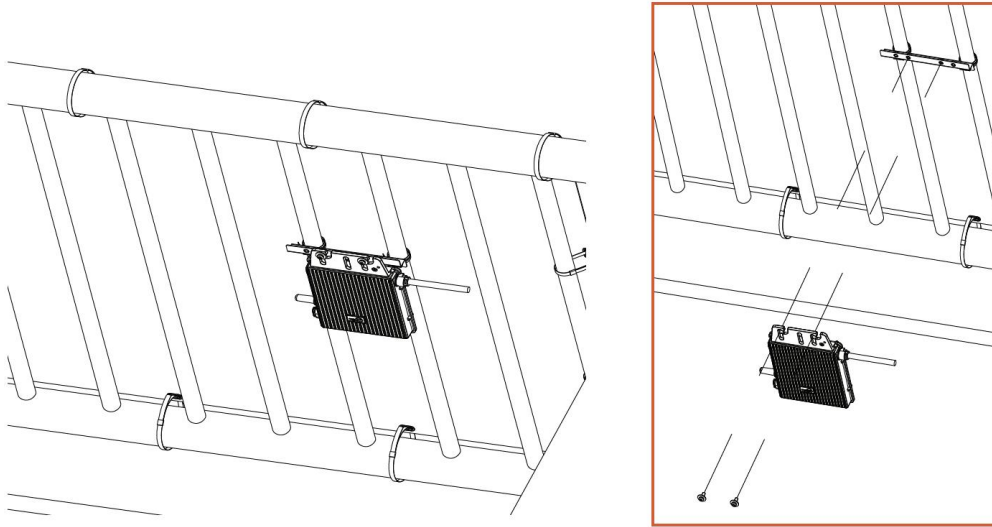
TSUN 800:

Attention: The TSUN 800 does not come with a mounting bracket from the manufacturer. We include a set of screws (2 screws + 2 nuts) for installation. The inverter can be mounted on the balcony or wall on-site.



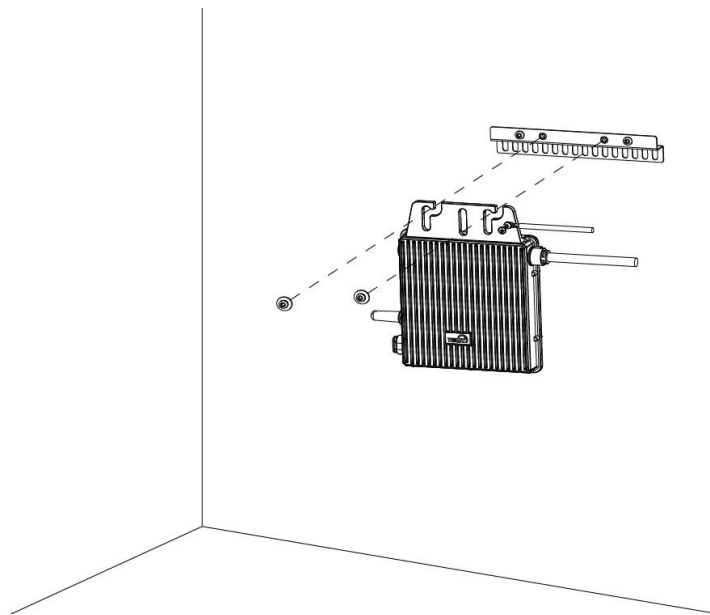
TSUN 2000:

Using two pairs of screws and nuts to fix the microinverter on the frame. Make sure that the label of microinverter should be upside.



➤ **Wall Installation**

Using two pairs of screws and nuts to fix the microinverter on the frame. Make sure that the label of microinverter should be upside.

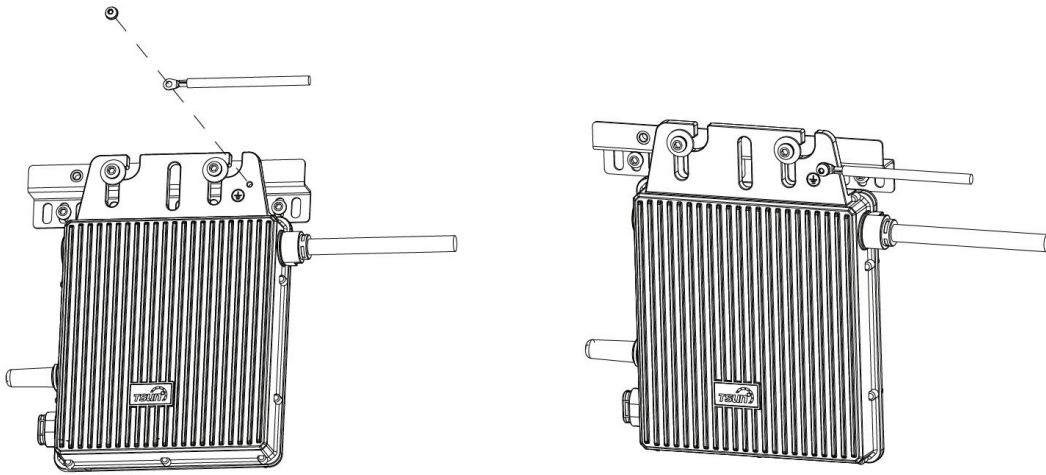


Step 3. Connect the ground cable.



- Ensure that all the microinverters are well grounded.
- Use $\phi 6$ screw for the ground port.

Connect the ground cable to the enclosure of the microinverter.



Step 4. Connect AC end cable

⚠ WARNING

- Ensure that all AC cables are correctly wired and that none of the wires are pinched or damaged.
- Use AWG 16 (1.5 mm²) cable for AC end cable.

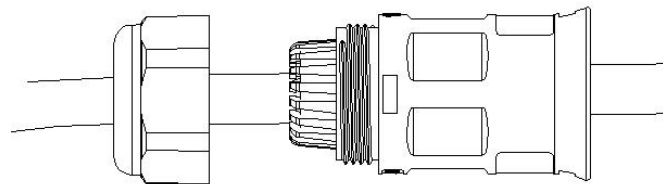
⚠ CAUTION

·The AC connectors may be provided by different suppliers. The port definitions are subject to actual objects.

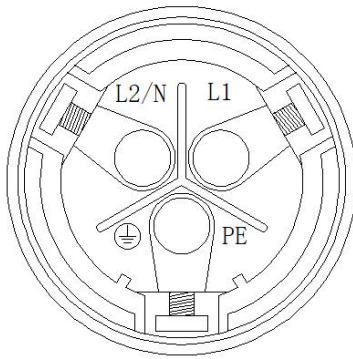
Separate the AC connector as shown below.



Get the AC cable through the shell of AC connector and connect the cable to the right port.

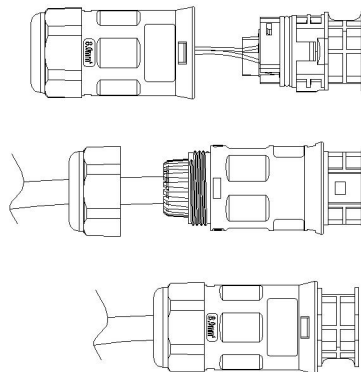


The definition of the port is shown below:

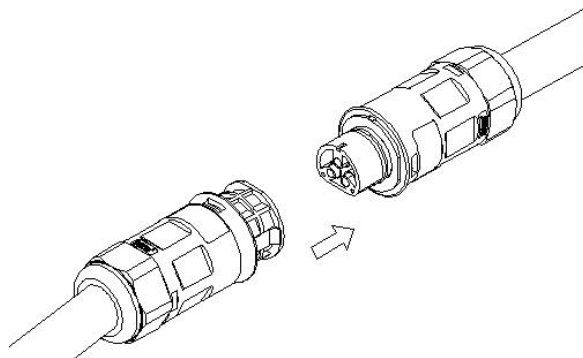


L:	Live	(Brown/Red)
N:	Neutral	(Blue/Black)
PE:	Ground	(Yellow-Green)

Reassemble the AC connector as shown below.



Plug the AC connector into the microinverter and connect the AC cable to the AC distribution box.



Step 5. Connect the DC cable

DANGER

·When the photovoltaic array is exposed to light, it provides a DC voltage to the inverter.

WARNING

·Ensure that all DC cables are correctly wired and that none of the wires are pinched or damaged.

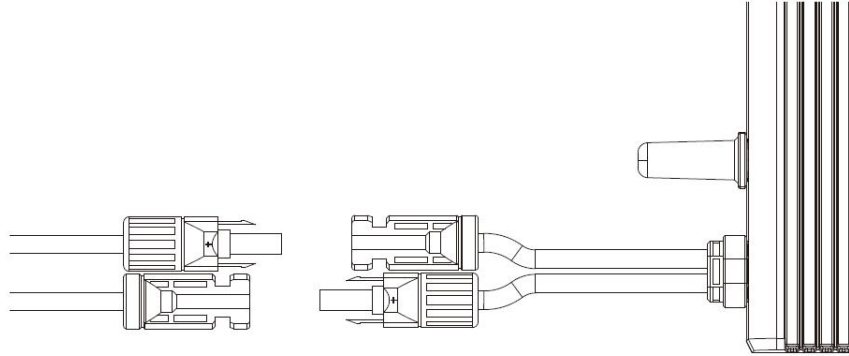
·The maximum open circuit voltage of the PV module must not exceed the specified maximum input DC voltage of the TSOL microinverter.

CAUTION

·If the DC cable is too short for installation, use a DC Extension Cable to connect PV modules to the microinverter.

- Use MC4 compatible DC connectors in the inverter side of the DC extension cable, or get the DC connectors from TSUN.
- Contact PV module manufacturers for the requirements of the DC connectors in the module side of DC extension cable.

Install the PV modules and connect the DC cable to the microinverter.

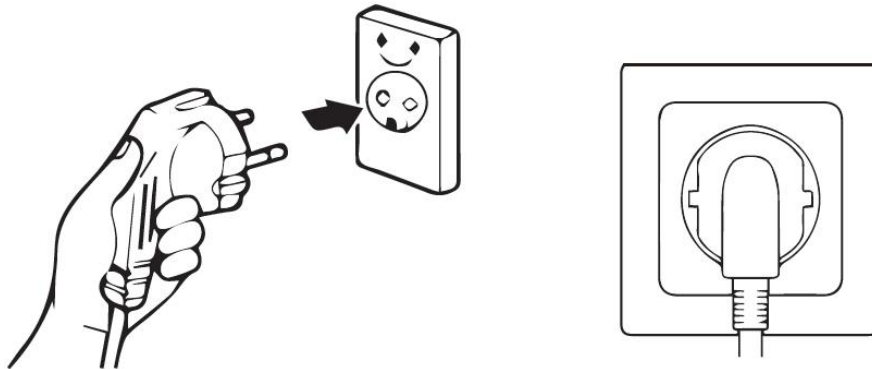


Step 6. Start the System

⚠ CAUTION

·Do not connect micro-inverters to the grid or energize the AC circuit(s) until you have completed all the installation procedures and have received prior approval from the electrical utility company.

While installation is all finished, After plugging in the socket and connecting to the power supply. Your system will start producing power after about a two-minute wait time.



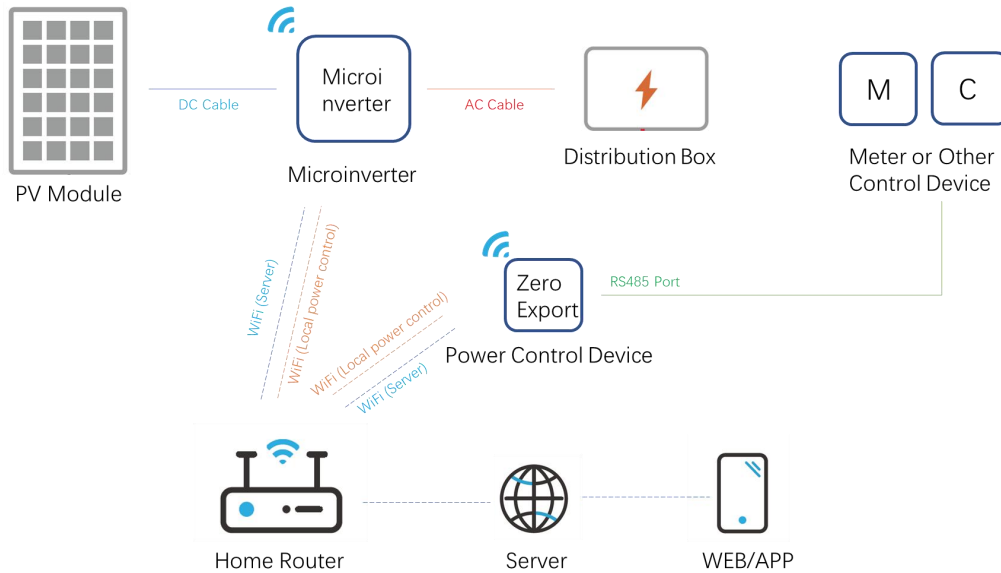
The LED will flash green and red at start-up. The definition of LED is shown below.

Status	Indicates
Flashing Green (0.2-0.8s)	Working normally
Flashing Red	Working abnormally
Solid Red	Fault

or Scan the QR code below to find the latest User Guidance of TSUN Monitoring System.

Remote Active Power Control

In some countries, it might be required that the generating plants should be equipped with a logic interface (input port) to cease the output of active power or limit active power to a regulated level. This logic input can be the RS485 port, Ethernet port, and so on. TSUN microinverter provides an extra power control device that contains an RS485 port for this remote active power control. For more information, refer to the “User Manual of TSUN power control device”.



Self-Test Function for Italy

TSUN microinverter and TSUN monitoring system provide a Self-test function for the Italy market. For more information, refer to the “User Guidance of Self-test Function”.

Fault Code and Troubleshooting

Code	Fault Information	Troubleshooting
1	PV1VoltOver_Fault	Check the voltage of the PV module and make sure that the voltage is below the maximum DC input voltage of the microinverter.
2	PV2VoltOver_Fault	If this fault appears continuously, please contact the TSUN service.
3	PV1VoltLow_Fault	This warning mostly appears in the morning or at dusk. It's normal and will disappear automatically. If this warning appears in the daytime, please check the connection of the PV module.
4	PV2VoltLow_Fault	If this fault appears continuously, please contact the TSUN service.
5	PV1CurrOver_Fault	Disconnect the AC power to restart the microinverter.
6	PV2 CurrOver_Fault	If this fault appears continuously, please contact the TSUN service.
7	No Utility	The AC power grid is disconnected. Check the AC power grid. If this fault appears continuously, please contact the TSUN service.
8	GridVoltOverRating	The AC power grid is abnormal. This fault will disappear automatically when the AC power grid is normal. If this fault appears continuously, please contact the TSUN service.
9	GridVoltUnderRating	
10	GridFreqOverRating	
11	GridFreqUnderRating	
12	OverTemp	Check the installation of the microinverter. Make sure the microinverter has good heat dissipation. If this fault appears continuously, please contact the TSUN service.
13	GFDI_Fault	This is an internal fault. Disconnect the AC power to restart the microinverter. If this fault appears continuously, please contact the TSUN service.
14	Fault 01 - 08	Disconnect the AC power to restart the microinverter. If this fault appears continuously, please contact the TSUN service.

Maintenance Guide

Routine Maintenance

- ◆ Only authorized personnel are allowed to carry out the maintenance operations and are responsible for reporting any anomalies.
- ◆ Always use the personal protective equipment provided by the employer when carrying out maintenance.
- ◆ During normal operation, check that the environmental and logistic conditions are appropriate. Make sure that the conditions have not changed over time and that the equipment is not exposed to adverse weather conditions and has not been covered with foreign bodies.
- ◆ DO NOT use the equipment if any problems are found and restore the normal conditions after the fault has been corrected.
- ◆ Conduct an annual inspection on various components and clean the equipment with a vacuum cleaner or special brushes.
- ◆ Firmware version can be checked by using the monitoring system.
- ◆ Always de-energize the AC branch circuit before servicing.
- ◆ Do not attempt to dismantle the Micro-inverter or make any internal repairs! To preserve the integrity of safety and insulation, the Micro inverters are not designed to allow internal repairs!
- ◆ Maintenance operations must be carried out with the equipment disconnected from the grid (AC power switch off) and the photovoltaic modules shaded or isolated unless otherwise indicated.
- ◆ For cleaning, DO NOT use rags made of filamentary material or corrosive products that may corrode parts of the equipment or generate electrostatic charges.
- ◆ Avoid temporary repairs. All repairs should be carried out using only genuine spare parts.

Storage and Dismantling

- ◆ If the equipment is not used immediately or is stored for long periods, check whether it is correctly packed. The equipment must be stored in well-ventilated indoor areas that do not have characteristics that might damage the components of the equipment.
- ◆ Take a complete inspection when restarting after a long time or prolonged stop.
- ◆ Please dispose of the equipment properly after scrapping, as component parts are potentially harmful to the environment, following the regulations in force in the country of installation.

Recycling and Disposal

This device should not be disposed of as residential waste. A Microinverter that has reached the end of its life is not required to be returned to the dealer. Users must find an approved collection and recycling facility in the area.

Warranty Service

This Warranty is subject to the following conditions:

- ◆ The products must have been installed and correctly commissioned by an authorized and licensed installer. Proof may be required of correct commissioning of the Product (such as a certificate of compliance). Claims for failures due to incorrect installation or commissioning are not covered under this Warranty.
- ◆ Where a Product or part thereof is replaced or repaired under this Warranty, the balance of the original Warranty period will apply. The replacement product or part(s) do not carry a new voluntary warranty.
- ◆ The product must have its original serial number and rating labels intact and readable.
- ◆ This Warranty does not extend to any product that has been completely or partially disassembled or modified, except where such disassembly is carried out by TSUNESS
- ◆ The terms of this Warranty cannot be amended except in writing by one of our authorized officers.
- ◆ There must have been a commissioning report signed by the end user and the installer for product commissioning and handling instructions.

Exclusions

- (a) TSUNESS makes no warranties, either expressed or implied, orally, or in writing, concerning any other warranty coverage except those expressly stated in this limited Factory Warranty.
- (b) The Factory Warranty does not cover damages that occur due to:
- Transport damage;
 - Installation or commissioning through any person who is not an Authorized, Certified Dealer;
 - Failure to observe the user manual, maintenance regulations, and intervals;
 - Modifications, changes, or attempted repairs, except as conducted by an Authorized Dealer;
 - Incorrect use or inappropriate operation;
 - Insufficient ventilation of the Covered Product;
 - Failure to observe the applicable safety regulations;
 - Force majeure.
- (c) This factory warranty does not cover cosmetic defects which do not directly influence energy production, or degrade form, fit, and function.
- (d) Claims that go beyond the scope of this limited Factory Warranty, in particular claims for compensation for direct or indirect damages arising from the defective device, for compensation for costs arising from disassembly and installation, or loss of profits, are expressly NOT covered by this Factory Warranty.
- (e) In no event will TSUNESS Co., Ltd be held responsible or liable for any personal injuries resulting from the use of the system, or for any other damages, whether direct, indirect, incidental, or

consequential; even if TSUNESS Co., Ltd has been advised of such damages.

Distributor Responsibility

In the event of an equipment failure or fault, it is the Distributor's responsibility to work directly with the TSUNESS Service Centre to limit the return of non-faulty equipment. TSUNESS Service Centre will work with the Distributor to rectify the fault or fault message through telephone support or with direct PC links. Note: To qualify for further compensation and a replacement unit, the distributor/installer must first contact TSUNESS and fulfill the distributor's /installer's responsibilities under instruction.

Within the warranty period of the microinverter, the invoice and date of purchase are required for the service. Besides, the trademark on the product should be visible, otherwise, warranty is not available.

More information can be found in TSUN Warranty Policy.



User Manual

TSOL-MS300 Balcony

TSOL-MS350 Balcony

TSOL-MS400 Balcony

TSOL-MS600 Balcony

TSOL-MS700 Balcony

TSOL-MS800 Balcony

TSOL-MS2000 (600)

TSOL-MS2000 (800)

Marken und Berechtigungen

TSUN und andere TSUNESS-Marken sind Marken von TSUNESS Co., Ltd. Alle anderen in diesem Dokument erwähnten Marken und Handelsnamen sind Eigentum ihrer jeweiligen Inhaber.

TSUNESS Co., Ltd übernimmt keine ausdrücklichen oder stillschweigenden Zusicherungen bezüglich dieser Dokumentation oder der darin beschriebenen Geräte und / oder Software, einschließlich (ohne Einschränkung) jegliche implizite Garantie der Nützlichkeit, Marktgängigkeit oder Eignung für ein bestimmtes Zweck.

Alle derartigen Garantien werden ausdrücklich ausgeschlossen. Weder TSUNESS noch seine Vertriebspartner oder Händler haften unter keinen Umständen für indirekte, zufällige oder Folgeschäden. (Der Ausschluss stillschweigender Garantien gilt unter Umständen nicht in allen Fällen. Satzungen, Und daher Die über Ausschluss Mai nicht anwenden.)

Die Spezifikationen können ohne Vorankündigung geändert werden. Es wurde alles unternommen, um dieses Dokument vollständig, genau und aktuell zu halten . Die Leser werden jedoch darauf hingewiesen, dass TSUNESS sich das Recht vorbehält, ohne Vorankündigung Änderungen vorzunehmen und nicht für Schäden, einschließlich indirekter, zufälliger , oder Folgeschäden, die durch das Vertrauen auf das präsentierte Material entstehen, einschließlich, aber nicht beschränkt auf Auslassungen, Tippfehler, Rechenfehler oder Auflistungsfehler im Inhaltmaterial.

Alle Warenzeichen werden anerkannt, auch wenn diese nicht gesondert gekennzeichnet sind. Fehlende Bezeichnungen bedeuten nicht, dass es sich bei einem Produkt oder einer Marke um kein eingetragenes Warenzeichen handelt. Alle Warenzeichen werden als Eigentum ihrer jeweiligen Inhaber anerkannt.

Produktinformationen können ohne vorherige Ankündigung geändert werden. Die Benutzerdokumentation wird regelmäßig aktualisiert. Besuchen Sie www.tsun-es.com für die neuesten Informationen. Um optimale Zuverlässigkeit zu gewährleisten und die Garantieanforderungen zu erfüllen, muss der TSUN-Mikrowechselrichter gemäß den Anweisungen in diesem Handbuch installiert werden. Den Garantietext finden Sie unter www.tsun-ess.com .

© 2022 TSUNESS Co., Ltd. Alle Rechte vorbehalten.

Publikum

Dieses Handbuch richtet sich an professionelles Installations- und Wartungspersonal.

Inhalt

Marken und Genehmigungen	- 2 -
Publikum	- 3 -
Inhalt	- 4 -
Lesen Sie dies zuerst	- 5 -
Wichtige Sicherheitsinformationen	- 5 -
Produktetikett	- 5 -
Systemeinführung	- 6 -
Produktbeschreibung	- 8 -
Datenblatt	- 9 -
Installation	- 14 -
Prüfung vor der Installation	- 14 -
Installationsschritte	- 14 -
Ferngesteuerte Wirkleistungssteuerung -	- 20 -
Selbsttestfunktion für Italien	- 20 -
Fehlercode und Fehlerbehebung	- 21 -
Wartungsanleitung	- 22 -
Routinemäßige Wartung	- 22 -
Lagerung und Demontage	- 22 -
Recycling und Entsorgung	- 22 -
Garantieservice	- 23 -
Ausschlüsse	- 23 -
Verantwortung des Vertriebshändlers	- 24 -

Lesen Sie dies zuerst

Sehr geehrter Kunde, vielen Dank, dass Sie sich für den Balcony-Mikrowechselrichter von TSUN entschieden haben. Wir hoffen, dass unsere Produkte Ihren Anforderungen an erneuerbare Energien gerecht werden. In der Zwischenzeit freuen wir uns über Ihr Feedback zu unseren Produkten.

Ein Solar-Mikrowechselrichter oder einfach Mikrowechselrichter ist ein Plug-and-Play-Gerät für die Photovoltaik, das den von einem einzelnen Solarmodul erzeugten Gleichstrom (DC) in Wechselstrom (AC) umwandelt. Der Hauptvorteil besteht darin, dass geringe Verschattungen, Trümmer oder Schneelinien auf einem einzelnen Solarmodul oder sogar ein kompletter Modulausfall die Leistung des gesamten Solarmoduls nicht unverhältnismäßig reduzieren. Jeder Mikro-Wechselrichter erntet optimale Leistung, indem er für sein angeschlossenes Modul ein Maximum Power Point Tracking (MPPT) durchführt. Einfachheit im Systemdesign, Kabel mit geringerer Stromstärke, vereinfachte Lagerverwaltung und zusätzliche Sicherheit sind weitere Faktoren, die mit der Mikro-Wechselrichterlösung eingeführt werden.



Dieses Handbuch enthält wichtige Anweisungen für Balcony-Mikrowechselrichter und muss vor der Installation oder Inbetriebnahme der Geräte vollständig gelesen werden. Aus Sicherheitsgründen dürfen nur qualifizierte Techniker, die eine Schulung erhalten haben oder über entsprechende Kenntnisse verfügen, diesen Mikrowechselrichter anhand dieses Dokuments installieren und warten.

Wichtige Sicherheitshinweise

Bei der Installation, Prüfung und Inspektion müssen alle Handhabungs- und Sicherheitshinweise unbedingt befolgt werden. Bei Nichtbeachtung kann es zu Verletzungen oder Todesfällen sowie zu Schäden an der Ausrüstung kommen.

Produktetikett








In diesem Dokument werden die folgenden Sicherheitssymbole verwendet. Machen Sie sich mit den Symbolen und ihrer Bedeutung vertraut, bevor Sie das System installieren oder bedienen.

 GEFAHR
· GEFAHR weist auf eine Gefahrensituation hin, die zu tödlichen Stromschlägen, anderen schweren Körperverletzungen oder Brandgefahr führen kann.
 WARNUNG
· WARNUNG kennzeichnet Anweisungen, die vollständig verstanden und befolgt werden müssen, um mögliche Sicherheitsrisiken wie Geräteschäden oder Verletzungen zu vermeiden.

⚠ VORSICHT

· VORSICHT bedeutet, dass der beschriebene Vorgang nicht ausgeführt werden darf. Der Leser sollte mit der Arbeit aufhören und die erklärten Vorgänge vollständig verstehen, bevor er fortfährt.

sind die Symbole auf dem Mikrowechselrichter aufgeführt und detailliert dargestellt.

Symbol	Beschreibung
	Dieses Gerät ist direkt an das öffentliche Stromnetz angeschlossen, so dass alle Arbeiten am Wechselrichter dürfen nur von qualifiziertes Personal.
	Die Bauteile im Wechselrichter geben viel Hitze während des Betriebs. Das Metallplattengehäuse während des Betriebs nicht berühren .
	und Wartung zuerst das Installationshandbuch .
	Dieses Gerät DARF NICHT im Hausmüll entsorgt werden.
	Dieses Gerät erfüllt die Anforderungen der Funkanlagenrichtlinie.
RoHS	Dieses Gerät entspricht der RoHS-Richtlinie.
	Bei der Energieumwandlung besteht die Gefahr eines Stromschlags. Führen Sie vor dem Abschalten der Restspannung keine Eingriffe durch und betreten Sie den umliegenden Bereich nicht weiter als 25 Zentimeter.
	

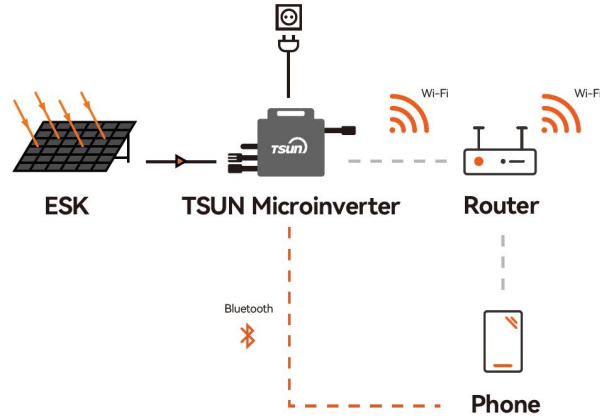
Systemeinführung

Der Balcony-Mikrowechselrichter wird in netzgebundenen Anwendungen eingesetzt und besteht aus zwei Schlüsselementen:

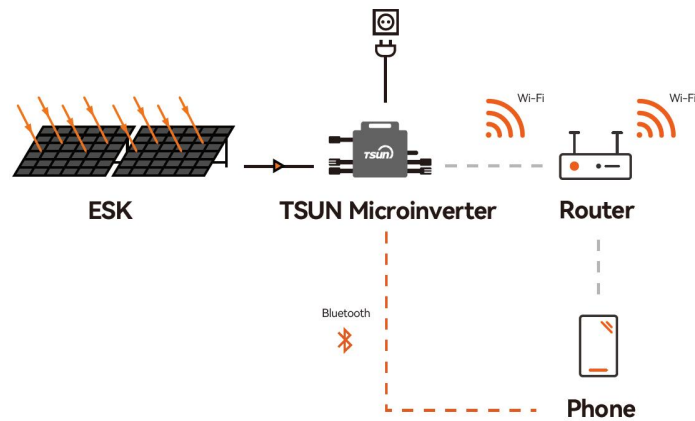
- Balkon-Mikrowechselrichter.
- TSUN-Überwachungssystem.

des öffentlichen Netzes entspricht, und sendet den Wechselstrom in das Netz, wodurch der

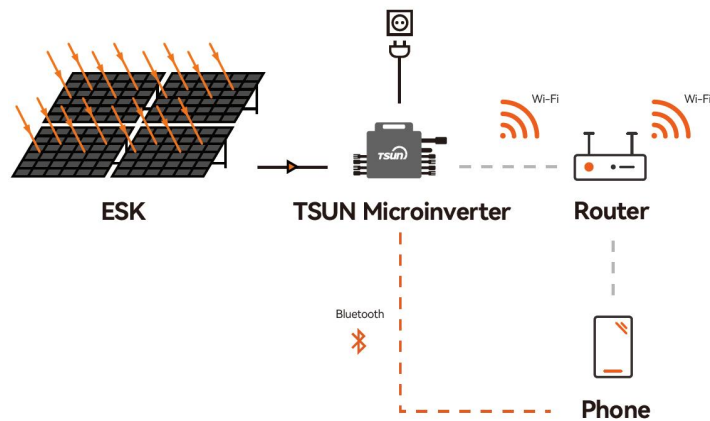
Lastdruck des Netzes verringert wird.



TSOL-MS300 Balcony
TSOL-MS350 Balcony
TSOL-MS400 Balcony

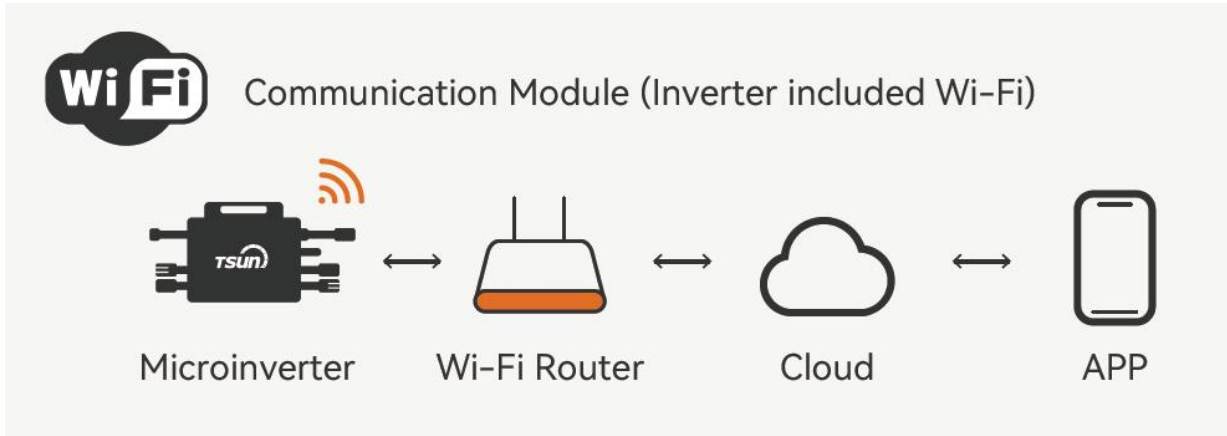


TSOL-MS600 Balcony
TSOL-MS700 Balcony
TSOL-MS800 Balcony

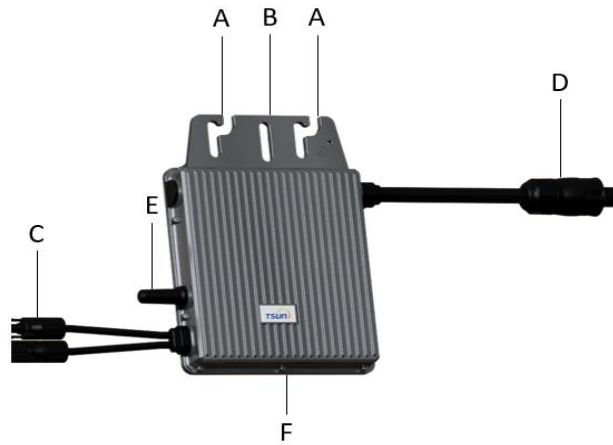


TSOL-MS2000 (600)
TSOL-MS2000 (800)

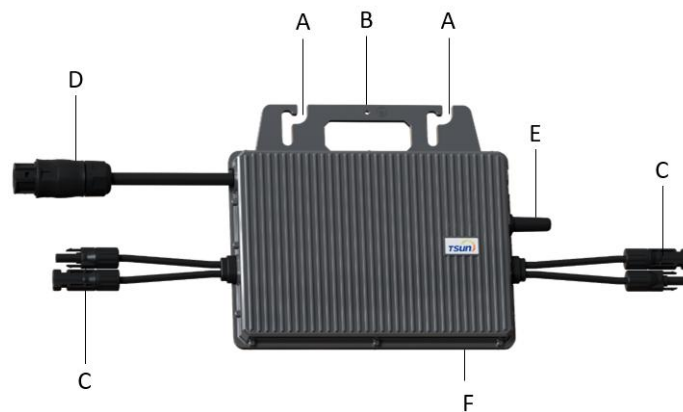
Der Mikrowechselrichter ist in das WLAN-Modul integriert und verbindet sich direkt mit dem heimischen WLAN-Router. Benutzer können die Stromerzeugung des Systems mit der TSUN-Überwachungs-App überwachen .



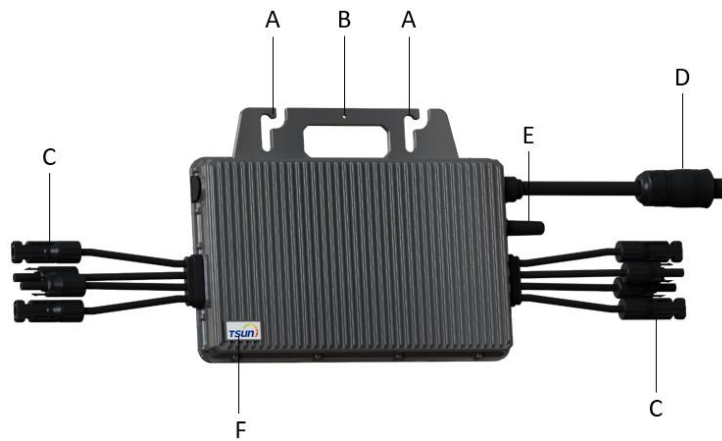
Produktbeschreibung



TSOL-MS300 Balcony
 TSOL-MS350 Balcony
 TSOL-MS400 Balcony



TSOL-MS600 Balcony
 TSOL-MS700 Balcony
 TSOL-MS800 Balcony



TSOL-MS2000 (600)

TSOL-MS2000 (800)

A	Montageloch	D	A C-Kabel
B	Erdungsloch	E	Antenne
C	Gleichstromkabel	F	Status Licht

Datenblatt

Modell	TSOL-MS400 Balcony	TSOL-MS350 Balcony	TSOL-MS300 Balcony
Eingangsdaten (DC)			
Empfohlene Modulleistung (W)	300 ~ 550	300 ~ 550	300 ~ 550
Startspannung pro Eingang (V)	22		
Nenneingangsspannung (V)	42		
MPPT- Spannungsbereich pro Eingang (V)	16 ~ 60		
Max. Eingangsspannung pro Eingang (V)	60		
Max. Kurzschlussstrom pro Eingang (A)	20	20	20
Max. Eingangsstrom pro Eingang (A)	14	14	14
Menge an MPPT	1		
Max. Wechselrichter-Rückspeisestrom zum Array (A)	0		
Ausgangsdaten (AC)			
Max. Ausgangsleistung (VA)	400	350	300
Nominale Dauerausgangsleistung (W)	400	350	300
Nennausgangsstrom (A)	1,74	1,52	1,3
Max. Ausgangsstrom (A)	2	1,59	1,45
Nennausgangsspannung /-bereich (V)*	220/230/240, 175 – 270, L/N/PE		

Nennfrequenz (Hz)*	50/60		
Leistungsfaktor	>0,99 Standard, 0,8 voraus ... 0,8 nachteilend		
Harmonische Verzerrung des Ausgangsstroms	<3 %		
Effizienz			
Spitzen-Wechselrichter-Effizienz	9 6,7 %	9 6,7 %	9 6,7 %
CEC-gewichtete Effizienz	9 6,5 %	9 6,5 %	9 6,5 %
Nominale MPPT-Effizienz	99,9 %	99,9 %	99,9 %
Stromverbrauch in der Nacht	< 50 mW	< 50 mW	< 50 mW
Schutz			
Anti-Islanding-Schutz	Integriert		
Isolationsüberwachung	Integriert		
AC-Überspannungsschutz	TYP II		
AC-Überstromschutz	Integriert		
AC-Kurzschlusschutz	Integriert		
AC-Überspannungsschutz	Integriert		
Überhitzungsschutz	Integriert		
Mechanische Daten			
Abmessungen (B×H×T mm)	164 * 225 * 30		
Gewicht (kg)	1,75		
Allgemeine Daten			
Anzeige	LED-Anzeigen; TSUN APP+WEB		
Kommunikation	integriertes WLAN-Modul		
Art der Isolierung	Galvanisch isolierter HF-Transformator		
Art des Gehäuses	IP67		
Kühlung	Natürliche Konvektion		
Betriebsumgebungstemperaturbereich	- 40 ~ +65 (Leistungsreduzierung bei über 50 °C Umgebungstemperatur)		
Relative Luftfeuchtigkeit	100%		
Max. Betriebshöhe ohne Leistungsreduzierung [m]	2000		
WiFi-Standard	802.11b/g/n		
WLAN-Frequenzbereich	2,412 GHz-2,472 GHz		
WLAN-Übertragungsleistung	802.11b: +17 dBm + 1,5 dBm (@11 Mbit/s)		
	802.11g: +15 dBm + 1,5 dBm (@54 Mbit/s)		
	802.11n: +14 dBm + 1,5 dBm (@HT20, MCS7)		
WiFi-Empfangsempfindlichkeit	802.11b: -96 dBm (bei 1 Mbit/s)		
	802.11b: -89 dBm (bei 11 Mbit/s)		
	802.11g: -91 dBm (bei 6 Mbit/s)		
	802.11g: -76 dBm (bei 54 Mbit/s)		
	802.11n: -91 dBm (@MCS0)		
	802.11n: -73 dBm (@MCS7)		
BLE-Standard	BLE5.0		
BLE-Frequenzbereich	2,402 GHz bis 2,480 GHz		
BLE-Sendeleistung	Max. 15 dBm		

BLE-Empfangsempfindlichkeit	-97 dBm
-----------------------------	---------

※ Der Wechselspannungs- und Frequenzbereich kann je nach Stromnetz des jeweiligen Landes unterschiedlich sein.

Modell	TSOL-MS800 Balcony	TSOL-MS700 Balcony	TSOL-MS600 Balcony
Eingangsdaten (DC)			
Empfohlene Modulleistung (W)	30 0 ~ 55 0	30 0 ~ 55 0	30 0 ~ 55 0
Anlaufspannung pro Eingang (V)	22		
Nenn -Eingangsspannung (V)	4 2		
MPPT- Spannungsbereich pro Eingang (V)	1 6 ~60		
Max. Eingangsspannung pro Eingang (V)	60		
Max. Kurzschlussstrom pro Eingang (A)	20	2 0	20
Max. Eingangsstrom pro Eingang (A)	14	14	14
Menge an MPPT	2		
Max. Wechselrichter-Rückspeisestrom zum Array (A)	0		
Ausgangsdaten (AC)			
Max. Ausgangsleistung (VA)	8 00	7 00	6 00
Nominale Dauerausgangsleistung (W)	8 00	7 00	6 00
Nennausgangsstrom (A)	3 .48	3 .04	2 .61
Max. Ausgangsstrom (A)	4	3 .19	3
Nennausgangsspannung /Bereich (V)*	220/230/240, 175 – 270, L/N/PE		
Nennfrequenz (Hz)*	50/60		
Leistungsfaktor	>0,99 Standard, 0,8 voreilend ... 0,8 nacheilend		
Harmonische Verzerrung des Ausgangsstroms	<3 %		
Effizienz			
Spitzenwirkungsgrad des Wechselrichters	9 6,7 %	9 6,7 %	9 6,7 %
CEC-gewichtete Effizienz	9 6,5 %	9 6,5 %	9 6,5 %
Nominale MPPT-Effizienz	99,9 %	99,9 %	99,9 %
Stromverbrauch in der Nacht	< 50 mW	< 50 mW	< 50 mW
Schutz			
Anti-Islanding-Schutz	Integriert		
Isolationsüberwachung	Integriert		
AC-Überspannungsschutz	TYP II		

AC-Überstromschutz	Integriert
AC-Kurzschlusschutz	Integriert
AC-Überspannungsschutz	Integriert
Überhitzungsschutz	Integriert
Mechanische Daten	
Abmessungen (B×H×T mm)	250 * 223 * 30
Gewicht (kg)	2.6
Allgemeine Daten	
Anzeige	LED-Anzeigen; TSUN APP+WEB
Kommunikation	integriertes WLAN-Modul
Art der Isolierung	Galvanisch isolierter HF-Transformator
Art des Gehäuses	IP67
Kühlung	Natürliche Konvektion
Betriebsumgebungstemperaturbereich	- 40 ~ +65 (Leistungsreduzierung bei über 50 °C Umgebungstemperatur)
Relative Luftfeuchtigkeit	100%
Max. Betriebshöhe ohne Leistungsreduzierung [m]	2000
WiFi-Standard	802.11b/g/n
WLAN-Frequenzbereich	2,412 GHz-2,472 GHz
WLAN-Übertragungsleistung	802.11b: +17 dBm + 1,5 dBm (@11 Mbit/s)
	802.11g:+15dBm + 1,5dBm(bei 54Mbps)
	802.11n: +14 dBm + 1,5 dBm (@HT20, MCS7)
WiFi-Empfangsempfindlichkeit	802.11b: -96 dBm (bei 1 Mbit/s)
	802.11b: -89 dBm (bei 11 Mbit/s)
	802.11g: -91 dBm (bei 6 Mbit/s)
	802.11g: -76 dBm (bei 54 Mbit/s)
	802.11n: -91 dBm (@MCS0)
	802.11n: -73 dBm (@MCS7)
BLE-Standard	BLE5.0
BLE-Frequenzbereich	2,402 GHz bis 2,480 GHz
BLE-Sendeleistung	Max. 15 dBm
BLE-Empfangsempfindlichkeit	-97 dBm

※ Der Wechselspannungs- und Frequenzbereich kann je nach Stromnetz des jeweiligen Landes unterschiedlich sein.

Modell	TSOL-MS2000 (600)	TSOL-MS2000 (8 00)
Empfohlene Modulleistung (W)	300 - 700+	300 - 700+
Anlaufspannung pro Eingang (V)	22	
Nenn -Eingangsspannung (V)	4 2	
MPPT- Spannungsbereich pro Eingang (V)	1 6 ~60	
Max. Eingangsspannung pro Eingang (V)	60	

Max. Kurzschlussstrom pro Eingang (A)	25	
Max. Eingangsstrom pro Eingang (A)	16	
Menge an MPPT	4	
Max. Wechselrichter-Rückspeisestrom zum Array (A)	0	
Max. Ausgangsleistung (VA)	600	800
Nominale Dauerausgangsleistung (W)	600	800
Nennausgangsstrom (A)	2.61	3.48
Max. Ausgangsstrom (A)	3	4
Nennausgangsspannung /Bereich (V)*	220/230/240, 175 – 270, L/N/PE	
Nennfrequenz (Hz)*	50/60	
Leistungsfaktor	>0,99 Standard, 0,8 voreilend ... 0,8 nacheilend	
Harmonische Verzerrung des Ausgangstroms	<3 %	
Spitzenwirkungsgrad des Wechselrichters	96,7 %	
CEC-gewichteter Wirkungsgrad	96,5 %	
Nomineller Mppt-Wirkungsgrad	99,9 %	
Stromverbrauch in der Nacht	< 50 mW	
Anti-Islanding-Schutz	Integriert	
Isolationsüberwachung	Integriert	
AC-Überspannungsschutz	TYP II	
AC-Überstromschutz	Integriert	
AC-Kurzschlusschutz	Integriert	
AC-Überspannungsschutz	Integriert	
Überhitzungsschutz	Integriert	
Abmessungen (B×H×T mm)	331 * 261 * 44	
Gewicht (kg)	5	
Anzeige	LED-Anzeigen; TSUN APP+WEB	
Kommunikation	integriertes WLAN-Modul	
Art der Isolierung	Galvanisch isolierter HF-Transformator	
Art des Gehäuses	IP67	
Kühlung	Natürliche Konvektion	
Betriebsumgebungstemperaturbereich	- 40 ~ +65 (Leistungsminderung bei über 50°C Umgebungstemperatur)	
Relative Luftfeuchtigkeit	100%	
Max. Betriebshöhe ohne Leistungsminderung [m]	2000	
WLAN-Standard	802.11b/g/n	
WiFi-Frequenzbereich	2,412 GHz bis 2,472 GHz	
WiFi-Sendeleistung	802.11b: +17 dBm + 1,5 dBm (bei 11 Mbit/s)	

	802.11g: +15dBm + 1,5dBm (bei 54Mbps)
	802.11n: +14 dBm + 1,5 dBm (@HT20, MCS7)
WiFi-Empfangsempfindlichkeit	802.11b: -96 dBm (bei 1 Mbit/s)
	802.11b: -89 dBm (bei 11 Mbit/s)
	802.11g: -91 dBm (bei 6 Mbit/s)
	802.11g: -76 dBm (bei 54 Mbit/s)
	802.11n: -91dBm (@MCS0)
	802.11n: -73dBm (@MCS7)
BLE-Standard	BLE5.0
BLE-Frequenzbereich	2,402 GHz-2,480 GHz
BLE-Sendeleistung	Maximal 15 dBm
BLE-Empfangsempfindlichkeit	-97 dBm

※ Die Wechselspannung und der Frequenzbereich können je nach Netz im jeweiligen Land variieren.

, dass die Funkausrüstung (Mikrowechselrichter) der Richtlinie 2014/53/EU entspricht . Der vollständige Text der EU- Konformitätserklärung ist unter folgender Internetadresse verfügbar:

[https://www.tsun-ess.com/File/\\$random-2023-07-03-091204-@2a\\$-97Z](https://www.tsun-ess.com/File/$random-2023-07-03-091204-@2a$-97Z)

Installation von Mikrowechselrichtern

Überprüfung vor der Installation

Überprüfen Sie das Paket

Obwohl die Mikrowechselrichter von TSUN strenge Tests durchlaufen und vor Verlassen des Werks überprüft werden, ist es nicht sicher, ob die Mikrowechselrichter während des Transports beschädigt werden. Bitte überprüfen Sie die Verpackung auf offensichtliche Schäden. Öffnen Sie die Verpackung nicht, wenn solche Anzeichen vorhanden sind, und wenden Sie sich so schnell wie möglich an Ihren Händler.

Überprüfen Sie die Installationsumgebung und -position

Beachten Sie bei der Wahl des Einbauortes folgende Bedingungen:

- ◆ Um eine unerwünschte Leistungsreduzierung aufgrund einer Erhöhung der Innentemperatur des Wechselrichters zu vermeiden, setzen Sie ihn nicht direktem Sonnenlicht aus.
- ◆ Um eine Überhitzung zu vermeiden, achten Sie stets darauf, dass der Luftstrom um den Wechselrichter herum nicht blockiert wird.
- ◆ Nicht an Orten installieren, an denen Gase oder brennbare Substanzen vorhanden sein können.
- ◆ Vermeiden Sie elektromagnetische Störungen, die den ordnungsgemäßen Betrieb elektronischer Geräte beeinträchtigen können.
- ◆ Es wird empfohlen, Mikrowechselrichter auf Strukturen unter den Photovoltaikmodulen zu installieren, damit diese im Schatten arbeiten.

- ◆ Überprüfen Sie mit einem Mobiltelefon die WLAN-Signalstärke am Installationsort. Wenn das WLAN-Signal schlecht ist, versuchen Sie, den Mikro-Wechselrichter an einer anderen Position zu installieren oder den WLAN-Router zu verschieben.

Installationsschritte



GEFAHR

- Überprüfen Sie vor der Installation das Gerät, um sicherzustellen, dass keine Transport- oder Handhabungsschäden vorliegen, die die Isolationsintegrität oder Sicherheitsabstände beeinträchtigen könnten.
- Das unbefugte Entfernen notwendiger Schutzvorrichtungen sowie unsachgemäße Verwendung, falsche Installation und Bedienung können zu ernsthaften Sicherheitsrisiken und Stromschlägen oder zu Geräteschäden führen.
- Beachten Sie, dass bei der Installation dieses Geräts die Gefahr eines Stromschlags besteht.

Schritt 1. Montieren Sie die Halterung .

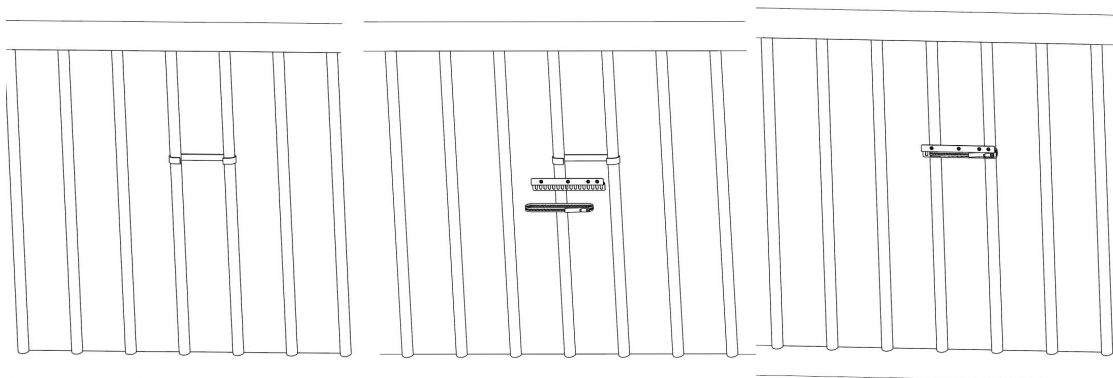


WARNUNG

- Wählen Sie den Installationsort sorgfältig aus und beachten Sie die angegebenen Kühlanforderungen. Der Mikro-Wechselrichter sollte an einem geeigneten Ort mit guter Belüftung und ohne direkte Sonneneinstrahlung installiert werden.

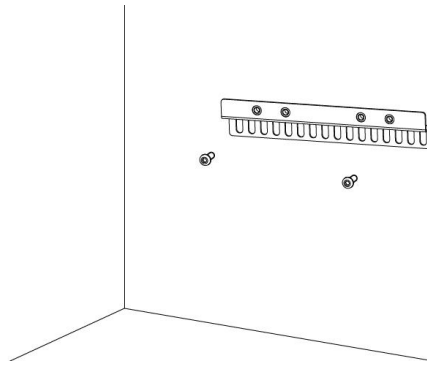
➤ Balkonmontage

Wählen Sie eine geeignete Position, befestigen Sie die Pufferleiste am Geländer und befestigen Sie die Halterung anschließend mit einer Edelstahl-Rolleiste.



➤ Wandmontage

Befestigen Sie die Halterung mit Schrauben an geeigneter Stelle an der Wand.



Schritt 2. Erdungskabel anschließen

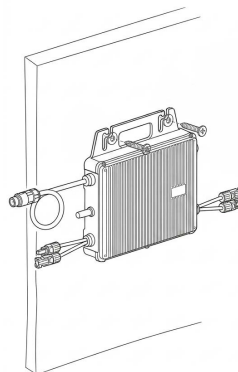


· Installieren Sie das Gerät nicht in widrigen Umgebungsbedingungen wie als entzündlich, explosiv, ätzend, extrem hohe oder niedrige Temperaturen, und feucht.

➤ Balkonmontage

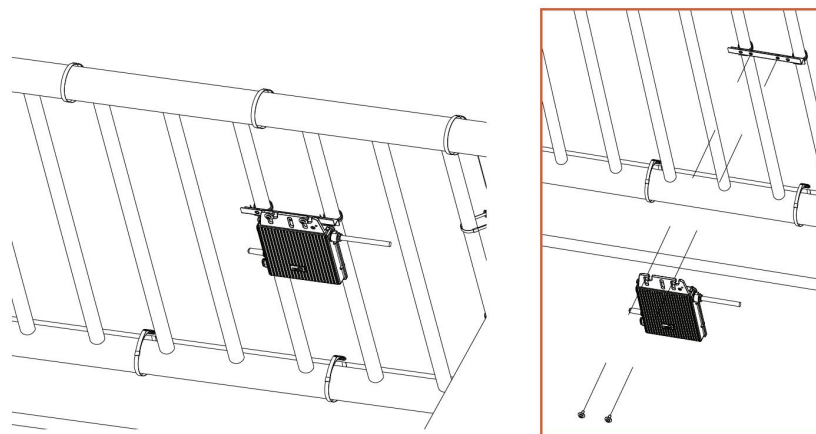
TSUN 800:

Achtung: Beim TSUN 800 ist herstellereitig keine Halterung inkludiert. Wir liefern Ihnen ein Schraubenset (2 x Schraube + 2 x Mutter) zur Befestigung mit. Der Wechselrichter kann bauseits auf dem Balkon oder der Wand montiert werden.



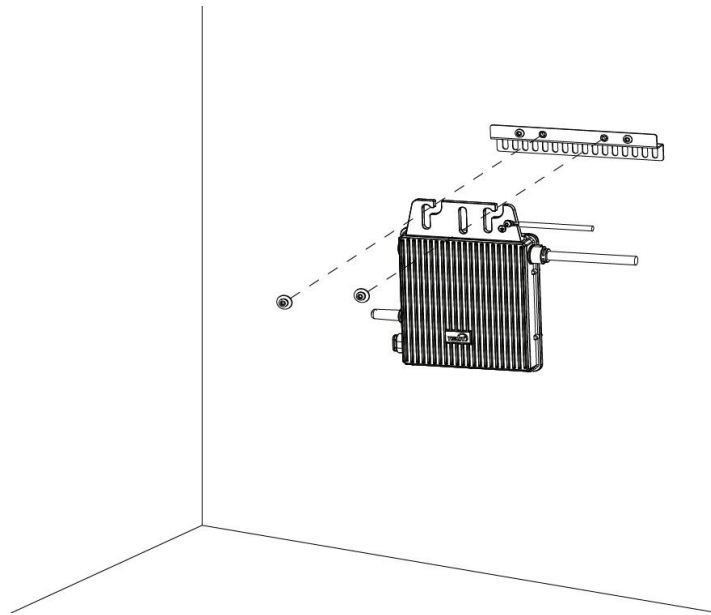
TSUN 2000:

Mit zwei Paar Schrauben und Muttern wird der Mikroinverter am Rahmen. Achten Sie darauf, dass das Etikett des Mikrowechselrichters nach oben zeigt.



➤ Wandmontage

Verwenden Sie zwei Paar Schrauben und Muttern, um den Mikrowechselrichter am zu befestigen rahmen. Stellen Sie sicher, dass das Etikett des Mikrowechselrichters nach oben zeigt.

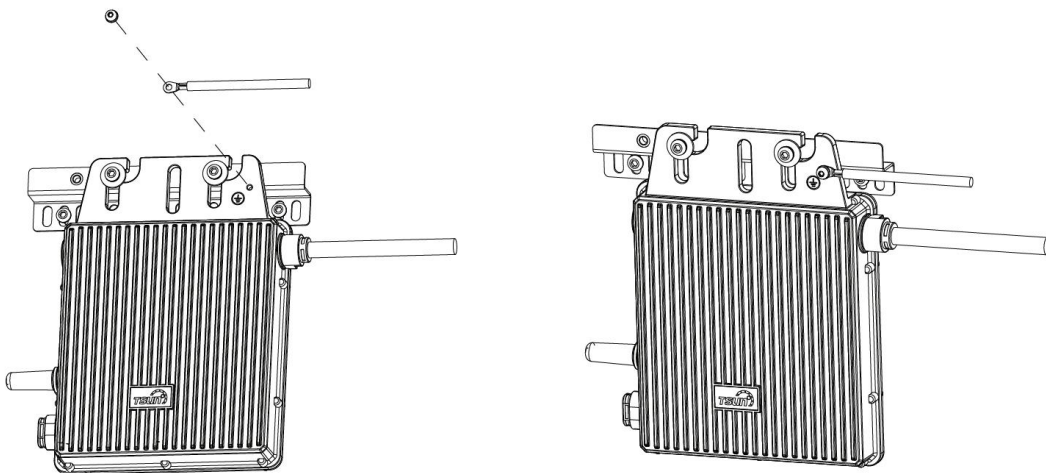


Schritt 3. Schließen Sie das Erdungskabel an.

WARNUNG

- Stellen Sie sicher, dass alle Mikrowechselrichter gut geerdet sind.
- Verwenden Sie eine $\phi 6$ - Schraube für den Erdungsanschluss.

Verbinden Sie das Erdungskabel mit dem Gehäuse des Mikrowechselrichters.



Schritt 4: Schließen Sie das AC-Endkabel an

WARNUNG

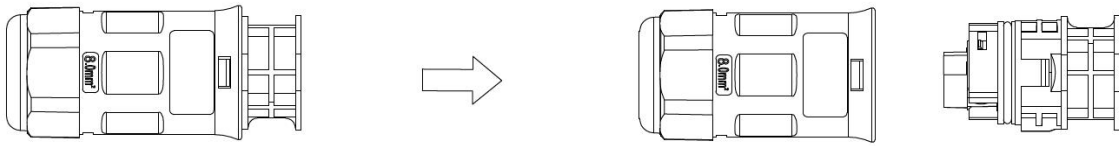
- Stellen Sie sicher, dass alle AC-Kabel richtig verdrahtet sind und keines der Kabel Drähte sind eingeklemmt oder beschädigt.
- Verwenden Sie als AC-Endkabel ein Kabel vom Typ AWG 16 (1,5 mm²).

VORSICHT

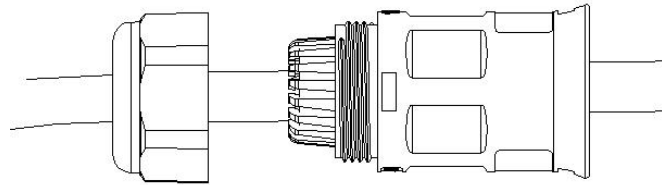
· Die AC-Anschlüsse können von verschiedenen Lieferanten stammen. Die Portdefinitionen sind

objektabhängig.

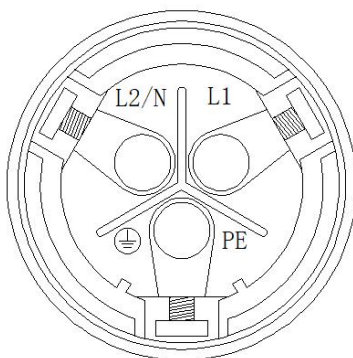
Trennen Sie den AC-Stecker wie unten gezeigt.



Führen Sie das AC-Kabel durch das Gehäuse des AC-Anschlusses und schließen Sie das Kabel an den richtigen Anschluss an.

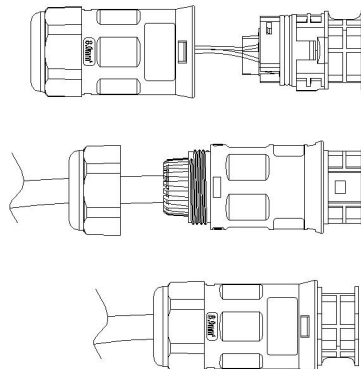


Die Definition des Ports ist unten dargestellt:

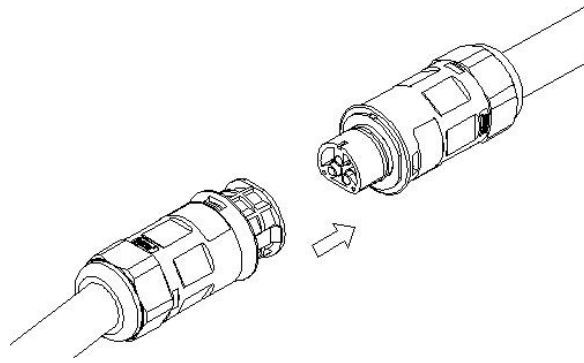


L:	Live	(Brown/Red)
N:	Neutral	(Blue/Black)
PE:	Ground	(Yellow-Green)




Bauen Sie den AC-Anschluss wie unten gezeigt wieder zusammen.



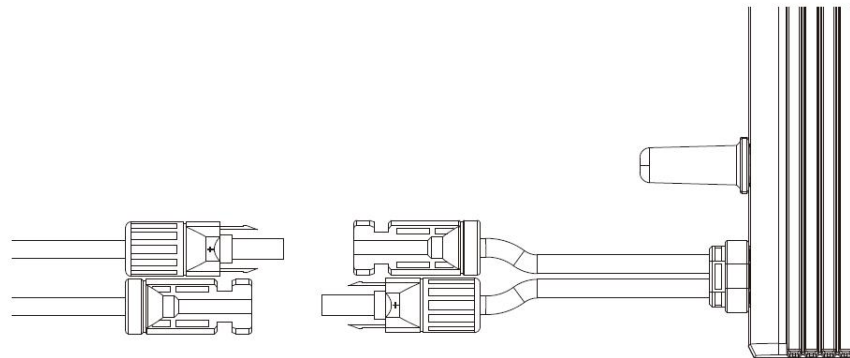
Stecken Sie den AC-Stecker in den Mikrowechselrichter und verbinden Sie das AC-Kabel mit der AC-Verteilerbox.



Schritt 5. Schließen Sie das DC-Kabel an

 GEFAHR
<ul style="list-style-type: none"> · Wenn die Photovoltaikanlage Licht ausgesetzt ist, liefert sie eine Gleichspannung an den Wechselrichter.
 WARNUNG
<ul style="list-style-type: none"> · Stellen Sie sicher, dass alle DC-Kabel korrekt verdrahtet sind und keine Drähte eingeklemmt oder beschädigt sind. · Die maximale Leerlaufspannung des PV-Moduls darf die angegebene maximale Eingangsgleichspannung des TSOL-Mikrowechselrichters nicht überschreiten.
 VORSICHT
<ul style="list-style-type: none"> · Wenn das DC-Kabel für die Installation zu kurz ist, verwenden Sie ein DC-Verlängerungskabel, um PV-Module an den Mikro-Wechselrichter anzuschließen. · Verwenden Sie MC4-kompatible DC-Anschlüsse auf der Wechselrichterseite des DC-Verlängerungskabels oder beziehen Sie die DC-Anschlüsse von TSUN . die DC-Anschlüsse auf der Modulseite des DC-Verlängerungskabels an die Hersteller von PV-Modulen .

Installieren Sie die PV-Module und verbinden Sie das Gleichstromkabel mit dem Mikrowechselrichter.

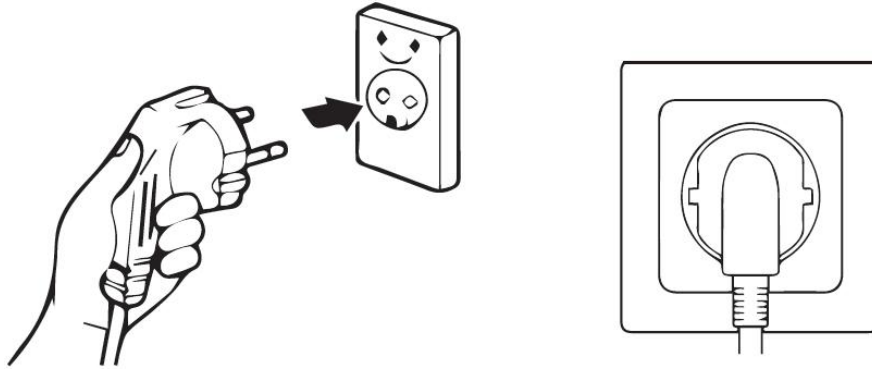


Schritt 6. Starten Sie das System

 VORSICHT

· Schließen Sie Mikro-Wechselrichter nicht an das Stromnetz an und schalten Sie die Wechselstromkreise erst ein, wenn Sie alle Installationsverfahren abgeschlossen und die vorherige Genehmigung des Elektrizitätsversorgungsunternehmens eingeholt haben.

Während die Installation abgeschlossen ist, Nach dem Einstecken in die Steckdose und an die Stromversorgung anschließen. Ihr System beginnt mit der Produktion nach etwa zwei Minuten Wartezeit die Stromversorgung.



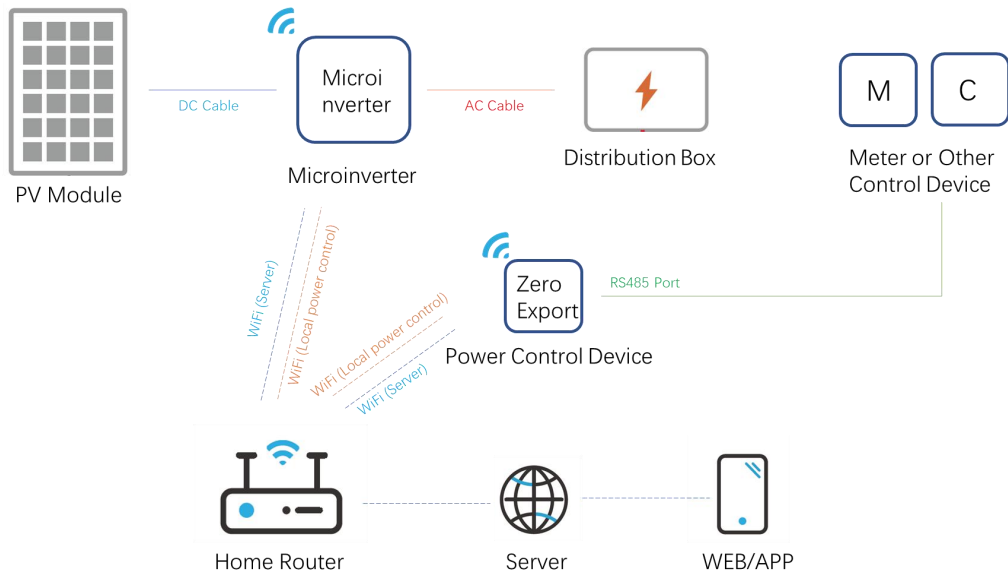
Die LED blinkt beim Start grün und rot . Die Bedeutung der LED ist unten dargestellt.

Status	Zeigt an
Grün blinkend (0,2–0,8 s)	Funktioniert normal
Rot blinkend	W oder König ungewöhnlich
Solides Rot	Fehler

oder scannen Sie den QR-Code unten, um die neueste Benutzeranleitung des TSUN-Überwachungssystems zu finden.

Ferngesteuerte aktive Leistungssteuerung

In einigen Ländern kann es erforderlich sein, dass die Erzeugungsanlagen mit einer Logikschnittstelle ausgestattet sind (Eingangsanschluss), um die Ausgabe der Wirkleistung zu stoppen oder die Wirkleistung auf ein reguliertes Niveau zu begrenzen. Dieser Logikeingang kann Dies kann der RS485-Anschluss, der Ethernet-Anschluss usw. sein. Der TSUN-Mikrowechselrichter bietet ein zusätzliches Leistungssteuergerät , das einen RS485-Anschluss enthält für diese Fernsteuerung der Wirkleistung. Weitere Informationen finden Sie im „Benutzerhandbuch des TSUN-Leistungssteuergeräts“.



Selbsttestfunktion für Italien

TSUN-Mikrowechselrichter und TSUN-Überwachungssystem bieten eine Selbsttestfunktion für den italienischen Markt. Weitere Informationen finden Sie in der „Benutzeranleitung zur Selbsttestfunktion“.

Fehlercode und Fehlerbehebung

Code	Fehlerinformationen	Fehlerbehebung
1	PV1VoltOver_Fault	Überprüfen Sie die Spannung des PV -Moduls und stellen Sie sicher, dass die Spannung unter der maximalen DC-Eingangsspannung des Mikrowechselrichters liegt. Sollte dieser Fehler dauerhaft auftreten, kontaktieren Sie bitte den TSUN-Service.
2	PV2VoltOver_Fault	
3	PV1VoltLow_Fault	Diese Warnung erscheint meist morgens oder in der Abenddämmerung. Das ist normal und verschwindet automatisch.
4	PV2VoltLow_Fault	Sollte diese Warnung tagsüber erscheinen, überprüfen Sie bitte den Anschluss des PV -Moduls. Tritt dieser Fehler dauerhaft auf, wenden Sie sich bitte an den TSUN-Service.
5	PV1CurrOver_Fault	Trennen Sie die Wechselstromversorgung, um den Mikrowechselrichter neu zu starten. Tritt dieser Fehler dauerhaft auf, wenden Sie sich bitte an den TSUN-Service.
6	PV2 CurrOver_Fault	
7	Kein Dienstprogramm	Das Wechselstromnetz ist getrennt. Überprüfen Sie das Wechselstromnetz. Tritt dieser Fehler dauerhaft auf, wenden Sie sich bitte an den TSUN-Service.
8	GridVoltOverRating	Das Wechselstromnetz ist anormal. Dieser Fehler verschwindet automatisch, wenn das Wechselstromnetz normal ist. Tritt dieser Fehler dauerhaft auf, wenden Sie sich bitte an den TSUN-Service.
9	GridVoltUnderRating	
10	GridFreqOverRating	
11	GridFreqUnderRating	
12	Übertemp	Überprüfen Sie die Installation des Mikrowechselrichters . Stellen Sie sicher, dass der Mikrowechselrichter eine gute Wärmeableitung hat . Tritt dieser Fehler dauerhaft auf, wenden Sie sich bitte an den TSUN-Service.
13	GFDI_Fault	Dies ist ein interner Fehler. Trennen Sie die Wechselstromversorgung, um den Mikrowechselrichter neu zu starten. Tritt dieser Fehler dauerhaft auf, wenden Sie sich bitte an den TSUN-Service.
14	Fehler 01 - 08	Trennen Sie die Wechselstromversorgung, um den Mikrowechselrichter neu zu starten. Tritt dieser Fehler dauerhaft auf, wenden Sie sich bitte an den TSUN-Service.

Wartungshandbuch

Rutinewartung

- ◆ Nur autorisiertes Personal darf die Wartungsarbeiten durchführen und ist für die Meldung etwaiger Anomalien verantwortlich.
- ◆ Bei Wartungsarbeiten stets die vom Arbeitgeber bereitgestellte persönliche Schutzausrüstung verwenden.
- ◆ Überprüfen Sie während des normalen Betriebs, ob die Umgebungs- und Logistikbedingungen angemessen sind. Stellen Sie sicher, dass sich die Bedingungen im Laufe der Zeit nicht geändert haben und dass das Gerät keinen widrigen Witterungsbedingungen ausgesetzt ist und nicht mit Fremdkörpern bedeckt wurde.
- ◆ Bei Problemen das Gerät NICHT verwenden und nach Behebung des Fehlers den Normalzustand wiederherstellen.
- ◆ Führen Sie jährlich eine Inspektion verschiedener Komponenten durch und reinigen Sie die Geräte mit einem Staubsauger oder speziellen Bürsten.
- ◆ Die Firmware-Version kann mithilfe des Überwachungssystems überprüft werden.
- ◆ Schalten Sie vor Wartungsarbeiten immer den AC-Abzweigstromkreis ab.
- ◆ Versuchen Sie nicht, den Mikro-Wechselrichter zu zerlegen oder interne Reparaturen durchzuführen! Um die Integrität der Sicherheit und Isolierung zu wahren, sind die Micro-Wechselrichter nicht für interne Reparaturen ausgelegt!
- ◆ Wartungsarbeiten müssen durchgeführt werden, wenn das Gerät vom Netz getrennt ist (Wechselstromschalter ausgeschaltet) und die Photovoltaikmodule abgeschattet oder isoliert sind, sofern nicht anders angegeben.
- ◆ Verwenden Sie zum Reinigen KEINE Lappen aus fadenförmigem Material oder ätzende Produkte, die Teile des Geräts angreifen oder elektrostatische Aufladungen erzeugen können.
- ◆ Vermeiden Sie provisorische Reparaturen. Bei allen Reparaturen dürfen nur Originalersatzteile verwendet werden.

Lagerung und Demontage

- ◆ Wenn das Gerät nicht sofort verwendet oder für längere Zeit gelagert wird, überprüfen Sie, ob es richtig verpackt ist. Das Gerät muss in gut belüfteten Innenräumen gelagert werden, die keine Eigenschaften aufweisen, die die Gerätekomponenten beschädigen könnten.
- ◆ Führen Sie bei einem Neustart nach einer langen Pause oder einem längeren Stopp eine vollständige Inspektion durch.
- ◆ Da die darin enthaltenen Bestandteile möglicherweise umweltschädlich sind, entsorgen Sie das Gerät nach der Verschrottung bitte ordnungsgemäß gemäß den im Aufstellungsland geltenden Vorschriften.

Recycling und Entsorgung

Dieses Gerät darf nicht als Hausmüll entsorgt werden. Ein Mikrowechselrichter, der das Ende seiner Lebensdauer erreicht hat, muss nicht an den Händler zurückgegeben werden. Benutzer müssen eine zugelassene Sammel- und Recyclinganlage in ihrer Nähe finden.

Garantieleistungen

Diese Garantie unterliegt den folgenden Bedingungen:

- ◆ Die Produkte müssen von einem autorisierten und lizenzierten Installateur installiert und ordnungsgemäß in Betrieb genommen worden sein. Möglicherweise ist ein Nachweis über die ordnungsgemäße Inbetriebnahme des Produkts erforderlich (z. B. eine Konformitätsbescheinigung). Ansprüche wegen Ausfällen aufgrund fehlerhafter Installation oder Inbetriebnahme sind von dieser Garantie nicht abgedeckt.
- ◆ Wenn ein Produkt oder ein Teil davon im Rahmen dieser Garantie ersetzt oder repariert wird, gilt der Restbetrag des ursprünglichen Garantiezeitraums. Für das Ersatzprodukt oder die Ersatzteile gilt keine neue freiwillige Garantie.
- ◆ Die ursprüngliche Seriennummer und das Typenschild des Produkts müssen intakt und lesbar sein.
- ◆ Diese Garantie erstreckt sich nicht auf Produkte, die vollständig oder teilweise zerlegt oder modifiziert wurden, es sei denn, eine solche Demontage wird von TSUNESS durchgeführt
- ◆ Die Bedingungen dieser Garantie können nur schriftlich durch einen unserer autorisierten Mitarbeiter geändert werden.
- ◆ Am Ende muss es ein unterzeichnetes Inbetriebnahmeprotokoll gegeben haben Benutzer und Installateur erhalten Anweisungen zur Produktinbetriebnahme und -handhabung.

Ausschlüsse

(a) TSUNESS übernimmt keine Garantien, weder ausdrücklich noch stillschweigend, weder mündlich noch schriftlich, in Bezug auf andere Garantiedeckungen außer den ausdrücklich in dieser eingeschränkten Werksgarantie genannten.

(b) Die Werksgarantie deckt keine Schäden ab, die aufgrund von Folgendem entstehen:

- Transportschäden;
- Installation oder Inbetriebnahme durch eine Person, die kein autorisierter, zertifizierter Händler ist;
- Nichtbeachtung der Bedienungsanleitung, Wartungsvorschriften und -intervalle;
- Modifikationen, Änderungen oder Reparaturversuche, außer wenn diese von einem autorisierten Händler durchgeführt wurden;
- Falsche Verwendung oder unsachgemäße Bedienung;
- Unzureichende Belüftung des abgedeckten Produkts;

- Nichtbeachtung der geltenden Sicherheitsvorschriften;
- Höhere Gewalt.

(c) Diese Werksgarantie deckt keine kosmetischen Mängel ab, die keinen direkten Einfluss auf die Energieerzeugung haben oder Form, Passform und Funktion beeinträchtigen.

(d) Ansprüche, die über den Umfang dieser beschränkten Werksgarantie hinausgehen, insbesondere Ansprüche auf Ersatz von direkten oder indirekten Schäden, die durch das defekte Gerät entstehen, auf Ersatz der durch Aus- und Einbau entstandenen Kosten oder von entgangenem Gewinn, sind durch diese Werksgarantie ausdrücklich NICHT abgedeckt.

(e) TSUNESS Co., Ltd. kann in keinem Fall für Personenschäden, die durch die Verwendung des Systems entstehen, oder für sonstige Schäden, ob direkte, indirekte, zufällige oder Folgeschäden, verantwortlich oder haftbar gemacht werden, selbst wenn TSUNESS Co., Ltd. auf derartige Schäden hingewiesen wurde.

Verantwortung des Vertriebshändlers


Im Falle eines Geräteausfalls oder einer Störung liegt es in der Verantwortung des Vertriebspartners, direkt mit dem TSUNESS-Servicecenter zusammenzuarbeiten, um die Rückgabe nicht fehlerhafter Geräte zu begrenzen. Das TSUNESS Service Center arbeitet mit dem Händler zusammen, um den Fehler oder die Fehlermeldung per Telefonsupport oder über direkte PC-Verbindungen zu beheben. Hinweis: Um Anspruch auf eine weitere Entschädigung und ein Ersatzgerät zu haben, muss sich der Händler/Installateur zunächst an TSUNESS wenden und die Pflichten des Händlers/Installateurs gemäß den Anweisungen erfüllen .

Innerhalb der Garantiezeit des Mikrowechselrichters sind für den Service die Rechnung und das Kaufdatum erforderlich. Außerdem muss das Markenzeichen auf dem Produkt sichtbar sein, andernfalls besteht keine Garantie.


Weitere Informationen finden Sie in den Garantiebestimmungen von TSUN.



TSUNESS Co., Ltd

 www.tsun-ess.com

 sales@tsun-ess.com

 No. 555, Chuangye Road, Jiashan County,
Zhejiang Province, P.R. China